



LIST PRICES

JOHNSON HARDWARE

Manufacturing World Class

Door Hardware Since 1958

LP-1021 October 1, 2021

For info/order call: 574-293-5664

Order by e-mail:

sales@johnsonhardware.com

Web Site:

www.johnsonhardware.com

L.E. Johnson Products, Inc.
2100 Sterling Avenue
Elkhart, IN 46516

Bifold Hardware	
Multi-Fold Hardware	
Wall Mount Sliding Hardware	
Pocket Door Hardware	
Sliding Bypass Hardware	
Multi-Door Sliding Hardware	

Bifold Hardware  

200FD	3
100FD	3
111FD	4
170A	4
1700	5
1718/1738/1734	5
1770	5
1825	6
1838	6
1601	7

Multi-Fold Hardware  

200RD	7
100RD	8
1700RD	8
1740	8

Wall Mounted Hardware  

200WM	9
2610F/2610FB	9

Pocket Door Hardware  

2000	10
2060	10
1500HD	11
1500SC	12
1060	12
1560	13
1562	13
1500PF	14
2511	14
2710	15
2711	15
1510/1511	16
200PD	16
200BP	17
200MP	17
100PD	18
100BP	18
100MP	19
111PD	19
111BP	20
111MP	20
1521/1534	21
2800F	21
2041/1515	22

Miscellaneous Hardware 

Door Display	22
Valet Rod	22

Sliding Bypass Hardware 

200SD	23
100SD	23
111SD	24
134F	24
138F	25
118F	25
2200F	26
2204F	26
2222	27
2200	27
1166	28

Multiple-Door Hardware 

200MD	29
100MD	29
111MD	29

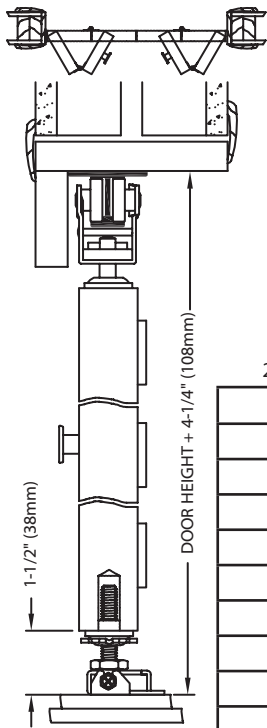
Bulk Items and Retail Packs 

Bulk Track	30
Merchandisers	31
Retail Bubble Packs	32
Bulk Parts	33-36
Policy Information	36

200FD Surface Mounted Bifold Hardware for 1 1/8" to 1 3/4" Thick Panels to 125 lbs.



ORDERING DATA



Item No.	Opening Size	Lbs/Case Qty.	Pkg. List	Bulk List
200FD482	48" 2 Door	Bulk only-5/Case		\$102.48
200FD602	60" 2 Door	Bulk only-5/Case		\$110.41
200FD722	72" 2 Door	6/1	\$130.96	\$117.79
200FD962	96" 2 Door	8/1	\$148.57	\$134.54
200FD484	48" 4 Door	Bulk only-5/Case		\$167.18
200FD604	60" 4 Door	Bulk only-5/Case		\$175.11
200FD724	72" 4 Door	Bulk only-5/Case		\$182.49
200FD964	96" 4 Door	Bulk only-5/Case		\$199.24
2003	3.5x3.5 Hinge	9/10 pair	\$14.43/pair	

2 Door Components

Qty	Part #
1	200 Track
1	2010 Pivot Lock
1	2001 Pivot
1	2011 Piv Socket
1	2007 Bot Piv
1	2002 Hanger
1	37 Knob
1	1712 Wrench
1/2	1808 Aligner

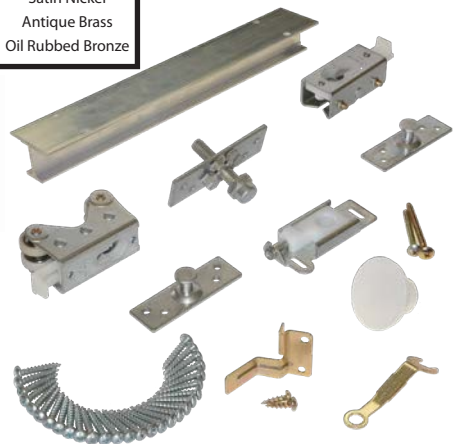
4 Door Components

Qty	Part #
1	200 Track
2	2010 Pivot Lock
2	2001 Pivot
2	2011 Piv Socket
2	2007 Bot Piv
2	2002 Hanger
2	37 Knob
1	1712 Wrench
1	1808 Aligner



Available in:
Bright Brass
Satin Nickel
Antique Brass
Oil Rubbed Bronze

1 3/8", 1 3/4", and 1 7/8" Side Mount Hardware Available for a \$9.68 adder for 2 door sets and \$19.36 for 4 door sets to Bulk Pricing



4 Door Hardware Set Shown Below

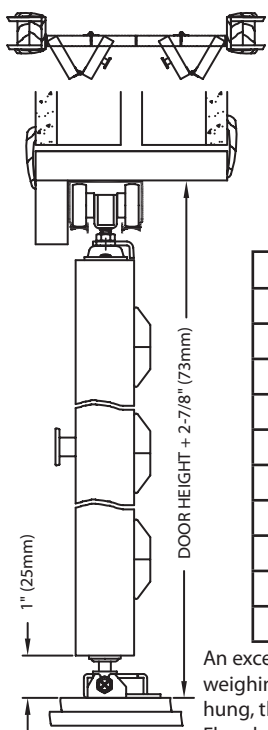
200FD

A premium commercial bifold hardware set for 12"-48" panels up to 9'0" high. Heavy duty I-beam track with positive pivot lock, top hung, four wheel (1" dia.) ball bearing hangers, heavy duty bottom pivot, floor bracket with screw adjusting bottom pivot socket. Plated steel parts. Hinges not included, order #2003 Hinges separately.

100FD Top Mounted Bifold Hardware for 1" to 1 3/4" Thick Panels to 75 lbs.



ORDERING DATA



Item No.	Opening Size	Lbs/Case Qty	Pkg. List	Bulk List
100FD362	36" 2 Door	15/5	\$61.36	\$51.43
100FD484	48" 4 Door	25/5	\$107.18	\$94.48
100FD604	60" 4 Door	26/5	\$112.14	\$98.06
100FD724	72" 4 Door	27/5	\$117.31	\$101.75
100FD964	96" 4 Door	21/3	\$129.02	\$111.07

2 Door Components

Qty	Part #
1	100 Track
1	1155 Track Stop
1	107 Piv-Set
1	1011 Piv Socket
1	1706 Bot Piv
3	1606 Hinges
1	33 Knob
1	1125 Hanger
1	1712 Wrench
1/2	1808 Aligner

4 Door Components

Qty	Part #
1	100 Track
2	1155 Track Stop
2	107 Piv-Set
2	1011 Piv Socket
2	1706 Bot Piv
6	1606 Hinges
2	33 Knob
2	1125 Hanger
1	1712 Wrench
1	1808 Aligner

Bulk 25 per Case



4 Door Hardware Set Shown



100FD

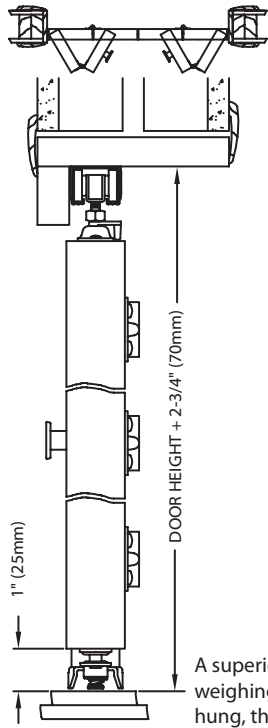


1 1/8", 1 3/8", and 1 3/4" Side Mount Hardware Available for a \$3.67 adder for 2 door sets and \$7.34 for 4 door sets to Bulk Pricing

Add 25% for less than full carton quantities.

111FD Top Mounted Bifold Hardware for 3/4" to 1 3/4" Thick Panels to 50 lbs.

ORDERING DATA



Item No.	Opening Size	Lbs/Case Qty	Pkg. List	Bulk List
111FD362	36" 2 Door	11/5	\$43.09	\$33.61
111FD484	48" 4 Door	18/5	\$72.54	\$60.56
111FD604	60" 4 Door	19/5	\$76.85	\$63.53
111FD724	72" 4 Door	20/5	\$80.80	\$66.15
111FD964	96" 4 Door	16/3	\$91.84	\$72.09

2 Door Components

4 Door Components

Bulk 25 per Case

Qty	Part #
1	111 Track
1	1155 Track Stop
1	118 Piv-Set
1	1711 Jamb Brkt
1	1707 Bot Piv
3	1703 Hinges
1	33 Knob
1	1020 Hanger
1	1712 Wrench
1/2	1808 Aligner

Qty	Part #
1	111 Track
2	1155 Track Stop
2	118 Piv-Set
2	1711 Jamb Brkt
2	1707 Bot Piv
6	1703 Hinges
2	33 Knob
2	1020 Hanger
1	1712 Wrench
1	1808 Aligner



4 Door Hardware Set Shown



A superior light commercial bifold hardware set for 12"-24" panels up to 9' high weighing 50 lbs. each. Convex rail aluminum track with positive pivot lock, top hung, three wheel (3/4" dia.) hangers, four-way adjustable jamb bracket, shock absorbing "breathing" hinges self locate and automatically align to door. Brass-tone steel parts.

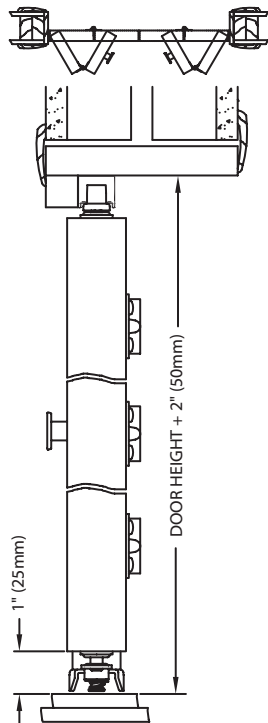


111FD

3/4", 1 1/8", and 1 3/8" Side Mount Hardware Available for a \$12.14 adder for 2 door sets and \$24.28 for 4 door sets to Bulk Pricing

170A Top Mounted Bifold Hardware for 3/4" to 1 3/4" Thick Panels to 40 lbs.

ORDERING DATA



Item No.	Opening Size	Lbs/Case Qty	Pkg. List	Bulk List
170A243H	24" 2 Door	9/5	\$28.70	\$20.90
170A303H	30" 2 Door	10/5	\$30.57	\$21.80
170A363H	36" 2 Door	11/5	\$30.92	\$22.68
170A486H	48" 4 Door	17/5	\$50.80	\$39.76
170A606H	60" 4 Door	18/5	\$52.90	\$41.69
170A726H	72" 4 Door	20/5	\$55.69	\$43.59
170A966H	96" 4 Door	23/5	\$61.48	\$49.79

2 Door Components

4 Door Components

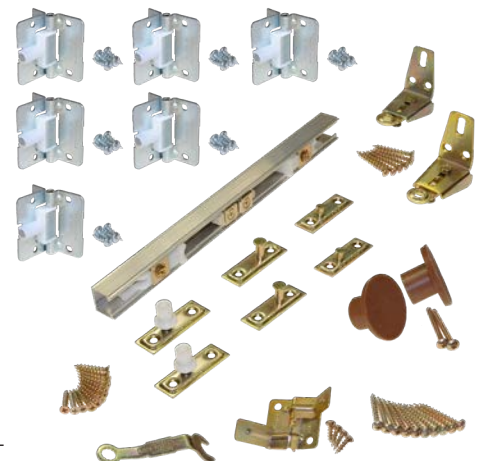
Bulk 25 per Case

Qty	Part #
1	170A Track
1	1710 Pivot Lock
1	1713 Snubber
1	1701 Top Pivot
1	1711 Jamb Brkt
1	1707 Bot Piv
3	1703 Hinges
1	33 Knob
1	1705 Top Guide
1	1712 Wrench

Qty	Part #
1	170A Track
2	1710 Pivot Lock
2	1701 Top Pivot
2	1713 Snubber
2	1711 Jamb Brkt
2	1707 Bot Piv
6	1703 Hinges
2	33 Knob
2	1705 Top Guide
1	1712 Wrench
1	1808 Aligner



4 Door Hardware Set Shown



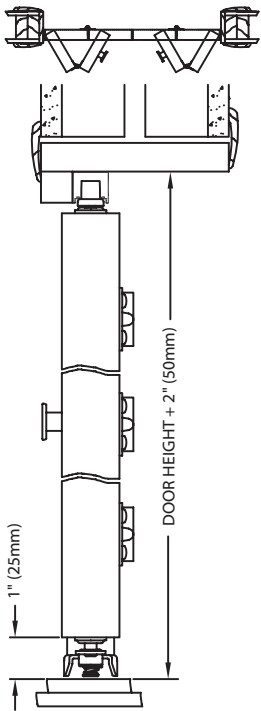
A premium residential bifold hardware set. Top hung hardware allows doors to hang naturally. Automatic top of the door spacing eliminates gaps. Smooth nonbinding operation. Heavy duty aluminum track with positive pivot lock. Surface mounted pivots and guides (no hole drilling). Four way adjustable jamb bracket, shock absorbing "breathing" hinges self locate and automatically align to door. Brass-tone steel parts.

170A

1700 Top Mounted Bifold Hardware

for 3/4" to 1 3/4" Thick Panels to 40 lbs.

ORDERING DATA



Item No.	Opening Size	Lbs./Case Qty	Pkg. List	Bulk List
1700243H	24" 2 Door	9/5	\$24.51	\$20.02
1700303H	30" 2 Door	10/5	\$25.66	\$20.86
1700363H	36" 2 Door	11/5	\$27.06	\$21.69
1700486H	48" 4 Door	17/5	\$46.25	\$38.42
1700606H	60" 4 Door	18/5	\$48.56	\$40.17
1700726H	72" 4 Door	20/5	\$51.52	\$41.89
1700966H	96" 4 Door	23/5	\$57.56	\$46.63

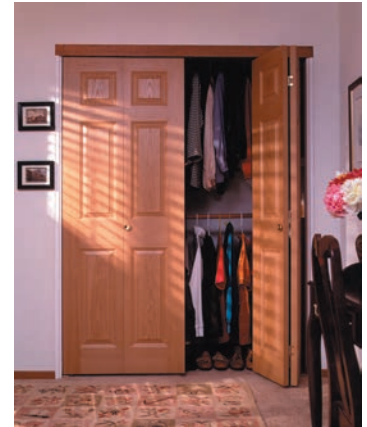
2 Door Components

Qty	Part #
1	1700 Track
1	1710 Pivot Lock
1	1713 Snubber
1	1701 Top Pivot
1	1711 Jamb Brkt
1	1707 Bot Piv
3	1703 Hinges
1	33 Knob
1	1705 Top Guide
1	1712 Wrench

4 Door Components

Qty	Part #
1	1700 Track
2	1710 Pivot Lock
2	1713 Snubber
2	1701 Top Pivot
2	1711 Jamb Brkt
2	1707 Bot Piv
6	1703 Hinges
2	33 Knob
2	1705 Top Guide
1	1712 Wrench
1	1808 Aligner

Bulk 25 per Case



4 Door Hardware Set Shown

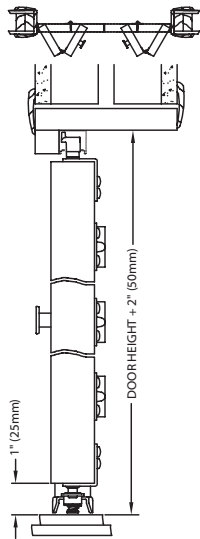


Same features as the 170A, but with woodtone steel track.

Also available with white track. (Bulk Only)

1718/1734/1738 Side Mount Bifold Hardware

Hdwe 1734=3/4", 1718=1 1/8", 1738=1 3/8" to 40 lbs.



4 Door Hardware Set Shown



Same features as 170A series, except hardware is mounted to back side of door. Side mount plates can be adjusted if opening is slightly out of square. Top pivot and guide must be kept parallel with track. Track also available in white and brown.

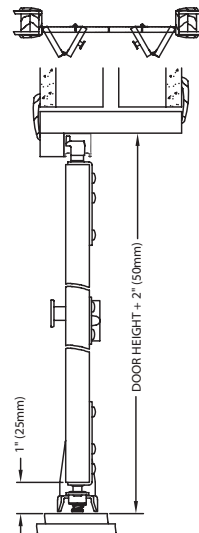
1738

ORDERING DATA

Specify	Opening Size	Lbs./Case Qty	Pkg. List	Bulk List
	24" 2 Door	(Bulk only)		\$24.74
	30" 2 Door	packed 25		\$25.64
1734=3/4"	36" 2 Door	per carton)		\$26.52
1718=1 1/8"	48" 4 Door			\$48.02
1738=1 3/8"	60" 4 Door	(Bulk only)		\$49.95
	72" 4 Door	packed 25		\$51.85
	96" 4 Door	per carton)		\$58.05

1770 Side Mount Bifold Hardware

for 3/4" Thick Panels to 40 lbs.



2 Door Hardware Set Shown



Same features as 1718/1734/1738 but for 3/4" doors only. Plates are 1/4" longer than 1718/1734/1738 plates. Track also available in white and brown.

1770

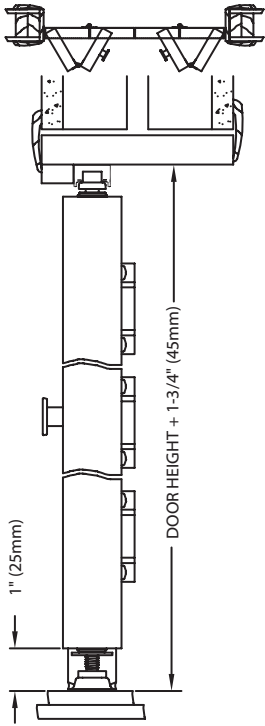
ORDERING DATA

Item No.	Opening Size	Lbs./Case Qty	Pkg. List	Bulk List
1770243H	24" 2 Door	(Bulk only)		\$27.21
1770303H	30" 2 Door	packed 25		\$28.11
1770363H	36" 2 Door	per carton)		\$28.99
1770486H	48" 4 Door			\$52.79
1770606H	60" 4 Door	(Bulk only)		\$54.72
1770726H	72" 4 Door	packed 25		\$56.62
1770966H	96" 4 Door	per carton)		\$62.82

1825 Tap-In Bifold Hardware (7/16" pin) for 1 1/8" to 1 3/4" Thick Panels to 35 lbs.



ORDERING DATA



Item No.	Opening Size	Lbs./Case Qty	Pkg. List	Bulk List
1825243H	24" 2 Door	(Bulk only)		\$16.62
1825303H	30" 2 Door	packed 25		\$17.26
1825323H	32" 2 Door	per carton)		\$17.68
1825363H	36" 2 Door	8/5	\$24.63	\$17.86
1825486H	48" 4 Door	12/5	\$41.90	\$32.67
1825606H	60" 4 Door	13/5	\$43.88	\$34.03
1825726H	72" 4 Door	15/5	\$46.49	\$35.41
1825966H	96" 4 Door	17/5	\$54.14	\$39.44

2 Door Components

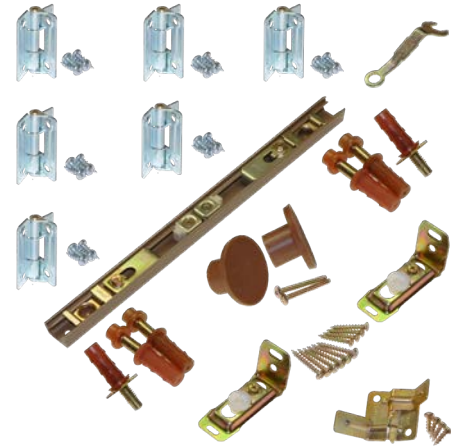
Qty	Part #
1	1825 Track
1	1810 Pivot
1	1713 Snubber
1	1811 Jamb Brkt
1	1807 Bot Piv
3	1805 Hinges
1	33 Knob
2	1801 Top Guide
1	1712 Wrench

4 Door Components

Qty	Part #
1	1825 Track
2	1810 Pivot Lock
2	1713 Snubber
2	1811 Jamb Brkt
2	1807 Bot Piv
6	1805 Hinges
2	33 Knob
4	1801 Top Guide
1	1712 Wrench
1	1808 Aligner



4 Door Hardware Set Shown



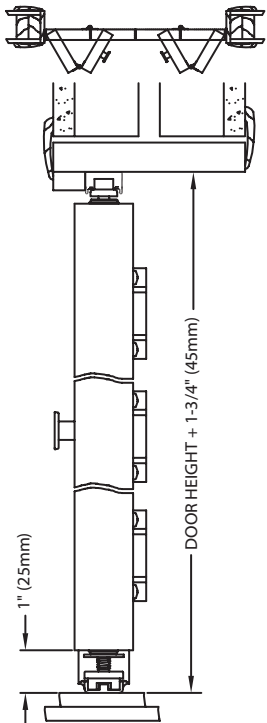
1825

Low profile woodtone steel track. Pivots and guides have a needle bearing surface to minimize friction. Jamb bracket has an adjustable bottom pivot bearing socket. Hinges are self locating and automatically align to door. Brass-tone steel parts.

1838 Tap-In Bifold Hardware (3/8" pin) for 1 1/8" to 1 3/4" Thick Panels to 30 lbs.



ORDERING DATA



Item No.	Opening Size	Lbs./Case Qty	Pkg. List	Bulk List
1838243H	24" 2 Door	(Bulk only)		\$14.81
1838303H	30" 2 Door	packed 25		\$15.44
1838323H	32" 2 Door	per carton)		\$15.79
1838363H	36" 2 Door			\$16.04
1838486H	48" 4 Door	(Bulk only)		\$29.19
1838606H	60" 4 Door	packed 25		\$30.39
1838726H	72" 4 Door	per carton)		\$31.62
1838966H	96" 4 Door			\$37.05

2 Door Components

Qty	Part #
1	1825 Track
1	1810 Pivot
1	1812 Snubber
1	1861 Jamb Brkt
1	1837 Bot Piv
3	1805 Hinges
1	37 Knob
2	1831 Top Guide
1	1712 Wrench

4 Door Components

Qty	Part #
1	1825 Track
2	1810 Pivot
1	1814 Snubber
2	1861 Jamb Brkt
2	1837 Bot Piv
6	1805 Hinges
2	37 Knob
4	1831 Top Guide
1	1712 Wrench
1	1808 Aligner



4 Door Hardware Set Shown



1838

Low profile white steel track. Pivots and guides have a needle bearing surface to minimize friction. Jamb bracket has positive positioning bottom pivot bearing socket. Hinges are self locating and automatically align to door. Brass-tone steel parts.

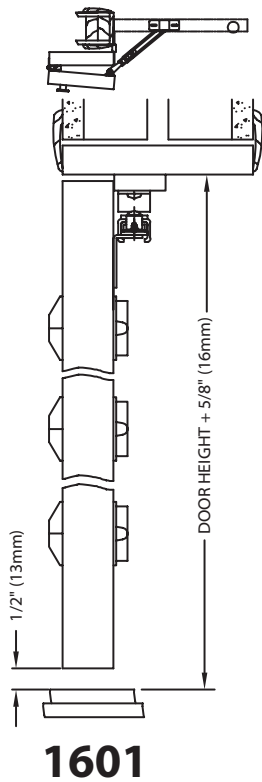
1601 Full Access Bifold Hardware for 1 1/8" to 1 3/4" Thick Panels to 30 lbs.



ORDERING DATA

Item No.	Opening Size	Lbs./Case Qty	Pkg. List	Bulk List
1601912P	18"-24" 2 Door	(Bulk only packed 25/Case)		\$36.16
1601218P	24"-36" 2 Door	8/5	\$43.83	\$37.04
1601824P	36"-48" 2 Door	10/5	\$55.13	\$42.62

For 4 Door Openings, Order 2 Kits and Double the Opening Size



Retail Box



Package Components

Qty	Part #
1	1601 Control Arm
1	1513 Bumper
1/2	1808 Aligner
3	1605 Hinge/Woodtone
3	1703 Hinges
1	33 Knob

Unique bifold provides full jamb to jamb access. Doors fold 180 degrees and lay flat against the wall. No top track. Comes with woodtone, non-mortise, lift off, jamb hinges (mortised hinges can be used at jamb). Woodtone Control Arm, brass-tone steel parts. White, non-mortise, lift off, jamb hinges are available in bulk.



2 Door Hardware Set Shown



200RD Multi Folding Hardware for 1 1/8" to 1 3/4" Thick Panels to 75 lbs.



ORDERING DATA

Specify	Description	Lbs./Case Qty	Pkg. List
200	Track Only	See Page 30 For Pricing and Sizes	
2015BS-A	Basic Set (1st Pair of Doors)	3/1	\$64.96
2002PLBG	Add-On Set B (2nd and 3rd Pair)	28/25	\$27.32
2003 Hinge (Pair)	3.5"X3.5" Mortised Hinges	9/10 Pair	\$14.43/Pair

2015BS-A Components

Qty	Part #
1	2001 Top Pivot
1	2010 Pivot Lock
1	2002 Door Guide
1	2007 Bottom Pivot
1	2011 Pivot Bracket
1	37 Knob
1	1712 Wrench

Hinges Not Included Buy Mortised Hinges Separately

2002PLBG Set B Components

Qty	Part #
1	2002 Door Guide

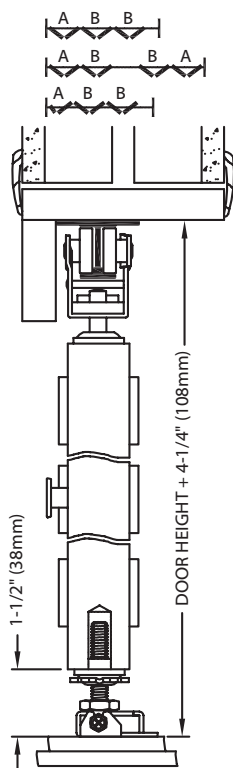
Hinges Not Included Buy Mortised Hinges Separately



2015BS-A Components



2002PLBG Set B Components



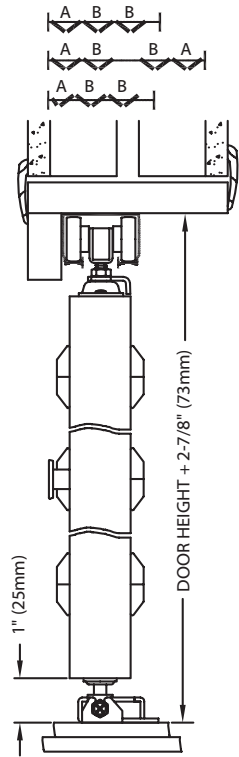
Hardware for panels 12"-36" up to 9'0" high. Heavy duty I-beam track with positive pivot-lock, top hung, four wheel (1" dia.) ball bearing hangers, heavy duty bottom pivot, floor bracket with screw adjusting bottom pivot socket. Plated steel parts.

(Maximum: Six panels each way.)
2003 Hinges must be ordered separately.

Add 25% for less than full carton quantities.



ORDERING DATA



Specify	Description	Lbs./Case Qty	Pkg. List
100	Track Only	See Page 30 For Pricing and Sizes	
1015BS-A	Basic Set (1st Pair of Doors)	1.5/1	\$45.95
1030AOSB	Add-On Set B (2nd and 3rd Pair)	1.4/1	\$45.78

1015BS-A Components

Qty	Part #
1	1001 Top Pivot
1	1010 Pivot Lock
1	1125 Door Guide
1	1706 Bottom Pivot
1	1011 Pivot Bracket
3	1606 Hinges
1	1155 Track Stop
1	33 Knob
1	1712 Wrench

1030AOSB Components

Qty	Part #
1	1125 Door Guide
6	1606 Hinges
1	33 Knob
1	1712 Wrench



1015BS-A Components



1030AOSB Components



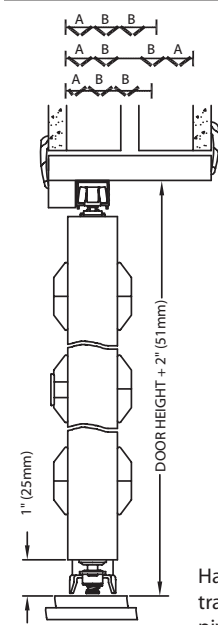
100RD

Hardware for panels 12"-24" up to 9'0" high. Convex rail aluminum track with positive pivot lock, top hung, three wheel (1" dia.) ball bearing hangers, non-mortise lift off hinges. Floor bracket has a screw for adjusting bottom pivot socket. Brass-tone steel parts.

(Maximum: Six panels each way.)

ORDERING DATA

ORDERING DATA



1715BS-A Components

Qty	Part #
1	1701 Top Pivot
1	1710 Pivot Lock
1	1742 Door Guide
1	1707 Bot. Pivot
1	1711 Piv. Bracket
3	1606 Hinges
1	1713 Track Stop
1	33 Knob
1	1712 Wrench

1725AOSB Components

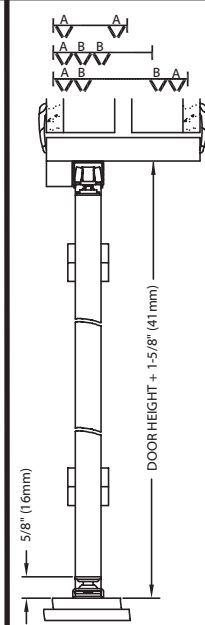
Qty	Part #
6	1606 Hinges
1	1742 Door Guide
1	33 Knob



1715BS-A Components



1725AOSB Components



1740BS-A Components

Qty	Part #
1	1701 Top Pivot
1	1710 Pivot Lock
1	1742 Door Guide
1	1707 Bot. Pivot
1	1711 Piv. Bracket
2	1743 Hinges
1	1713 Track Stop
1	33 Knob
1	1712 Wrench

1740-AOS Components

Qty	Part #
4	1743 Hinges
1	1742 Door Guide
1	33 Knob



1740BS-A Components



1740-AOS Components



1700RD

1740RD

Hardware for panels 9" to 18" up to 6'8" high. Aluminum track with positive pivot lock, top hung, surface mounted pivots/hangers, four way adjustable jamb bracket, four wheel (7/16" dia.) hanger, non-mortise lift off hinges. Brass-tone steel parts. (Maximum: Six panels each way.)

Hardware for panels 9" to 18" up to 6'8" high. Aluminum track with positive pivot lock, top hung, surface mounted pivots/hangers, four way adjustable jamb bracket, four wheel (7/16" dia.) hanger, non-mortise lift off hinges. Brass-tone steel parts. (Maximum: Six panels each way.)

Specify	Description	Lbs./Case Qty	Pkg. List
170A	Track Only	See Page 30 For Pricing and Sizes	
1715BS-A	Basic Set (1st Pair of Doors)	1/1	\$36.32
1725AOSB	Add-On Set B (2nd and 3rd Pair)	1.2/1	\$38.84

Specify	Description	Lbs./Case Qty	Pkg. List
170A	Track Only	See Page 30 For Pricing and Sizes	
1740BS-A	Basic Set (1st Pair of Doors)	5.5/10	\$18.15
1740-AOS	Add-On Set B (2nd and 3rd Pair)	2.4/10	\$14.62

200WM Wall Mounted Track and Hardware

for a minimum 1 1/8" or Thicker Door to 400 lbs.

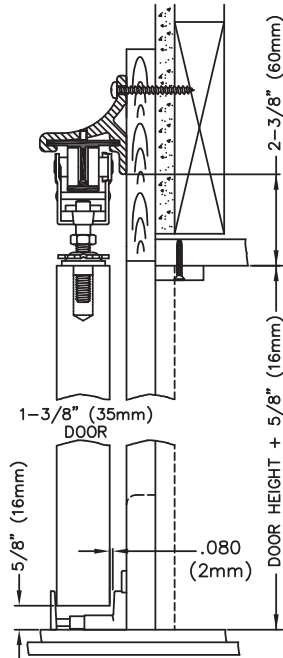
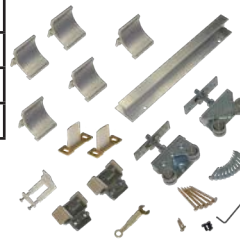


ORDERING DATA



Item No.	Max Door Size	Lbs./Case Qty	Pkg Price	Bulk Price
200WM481	One 2'0" Door	7/1	\$208.27	\$192.38
200WM601	One 2'6" Door	8/1	\$216.29	\$200.31
200WM721	One 3'0" Door	9/1	\$244.40	\$226.34
200WM961	One 4'0" Door	11/1	\$284.23	\$261.74

200WM Hardware Set



200WM Components Bulk 5 per Case

Qty	Part #	Qty	Part #
1	200 Track	1	12 Door Guide
4-6	2006 Brackets	2	2030 Guides
2	2020 Hangers	1	1712 Wrench
2	2055 Trk Stops	1	3/32" Wrench

Bronze and Satin Anodized Fascia Available



2009 Wood Fascia Clip Set \$36.35/set

Item No.	Max Door Size	Lbs./Case Qty	Pkg Price	Bulk Price
200W*048	One 4'0" Fascia	5/1	\$93.37	
200W*060	One 5'0" Fascia	6/1	\$107.18	
200W*072	One 6'0" Fascia	7/1	\$121.38	
200W*096	One 8'0" Fascia	9/1	\$155.85	

Snap-on Fascia sold separately and in sizes up to 192" Page 30 for prices

*Add "S" to Item # for Satin, "B" for Bronze

200WM

A unique surface mounted hardware set for open pocket doors. Use to slide door along the wall rather than in the wall. Features a heavy duty I-beam track, extruded aluminum wall mounting brackets to anchor the track to the wall studs, four wheel (1" dia.), smooth operating, ball bearing hangers, and two different guides to stabilize the door. Plated steel parts. Tracks available up to 192".

2610F Wall Mounted Fascia Track and Hardware

for a 1" to 1 3/4" Thick Door to 125 lbs. (HD 200 lbs. w/ 1125 Hanger)



ORDERING DATA



Item No.	Max Door Size	Lbs./Case Qty	Pkg Price	Bulk Price	HD Price	SC Price
2610F481	One 2'0" Door	21/4	\$64.62	\$59.25	\$78.80	\$149.6
2610F601	One 2'6" Door	25/4	\$75.96	\$69.57	\$89.77	\$160.58
2610F721	One 3'0" Door	30/4	\$85.03	\$78.40	\$98.87	\$168.57
2610F961	One 4'0" Door	42/5	\$107.12	\$96.78	\$120.79	\$191.60

2610F Set Components

Bulk 10 per Case HD and Soft Close 1 per Case

Qty	Part #
1	2610F Track
2	1120 Hangers
2	1155 Trk Stops
1	12 Guide
2	2680 End Caps
1	1712 Wrench

A unique surface mounted hardware set for open pocket doors. Use to slide a door along the wall rather than in the wall. Aluminum track with convex rails, jump proof three wheel (1" dia.) hangers assure a smooth quiet operation. Also includes a wall-mounted door guide. Brass-tone steel parts. Single Pack Heavy Duty (HD) version includes the #1125 hanger for doors up to 200 lbs.

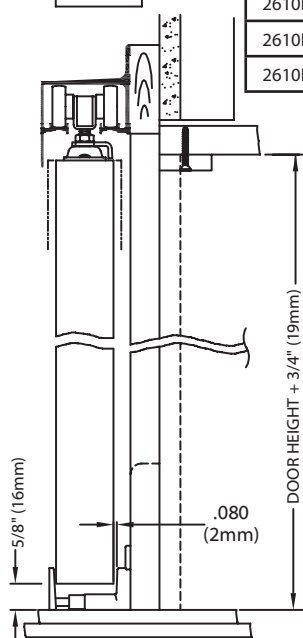
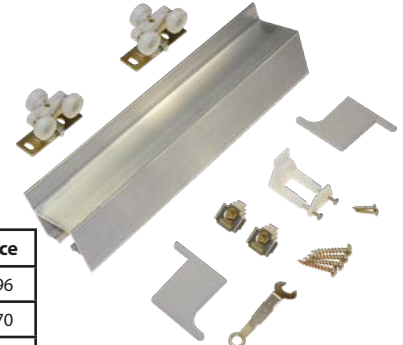
Also Available in Dark Bronze/200 lbs. Rating



Item No.	Max Door Size	Lbs./Case Qty	Pkg Price	Bulk Price	SC Price
2610F48B	One 2'0" Door	5/1	\$120.40	\$101.46	\$182.96
2610F60B	One 2'6" Door	6/1	\$141.87	\$121.05	\$202.70
2610F72B	One 3'0" Door	7/1	\$151.87	\$130.43	\$210.77
2610F96B	One 4'0" Door	9/1	\$196.61	\$170.59	\$253.07



2610F Hardware Set



2610F

SOFT-Close/Open Compatible

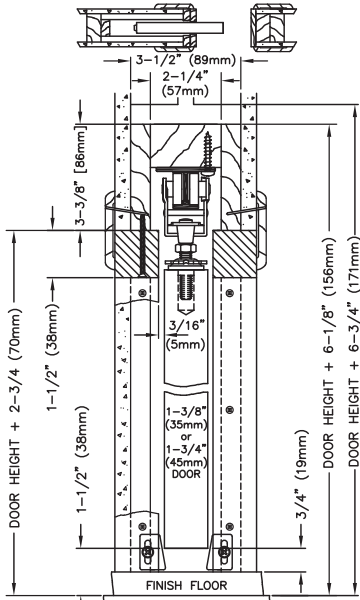
Add 25% for less than full carton quantities.

Bulk 10 per Case

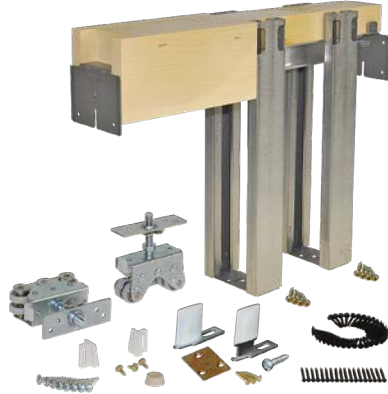
2000 Commercial Grade Pocket Door Frame for 1 1/8" to 1 3/4" Thick Doors to 400 lbs.



ORDERING DATA



For 2 x 4 construction. Aluminum "I" Beam track, smooth quiet operation, rust resistant all steel split studs, jump proof 4 wheel ball bearing (1" dia.) hangers, self-adjusting floor anchors, 2'6" and 3'0" headers marked to cut to smaller door sizes. Plated steel parts. Now comes with the 2041 hidden guide set.



2000

Accessories			
2050PLBG	Converging Door Kit	10/10	\$16.98
1574PLBG	4" Steel Stud Wall Adapter Kit	10/10	\$8.72
2027SD-1	2000 Hardware Bag	25/68	\$64.64

2000 Series Pocket Door Frame Prices

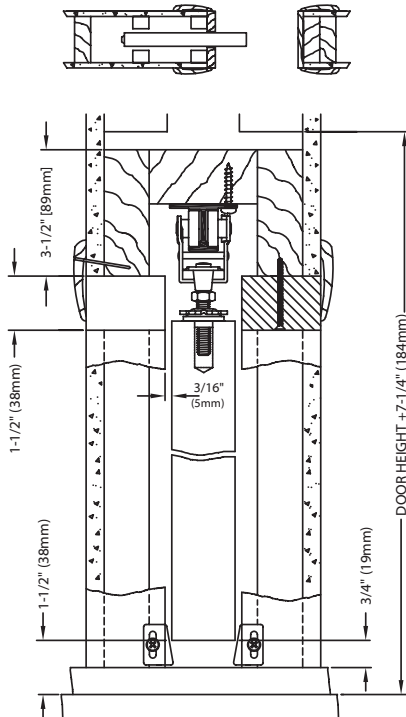
Note: Frames marked with an * will ship **FREIGHT COLLECT** if not shipped with a stock order of more than \$1,900 LIST.

Item No.	Max Door Size	lbs/Case	Price
Frames for 80" Tall Doors			
202668PF	For Doors up to 30" wide x 80" tall	42/1	\$276.67
203068PF	For Doors up to 36" wide x 80" tall	44/1	\$287.84
204068PF	For Doors up to 48" wide x 80" tall	63/1	\$369.52
205068PF	For Doors up to 60" wide x 80" tall	81/1	\$443.34
Frames for 84" Tall Doors			
202670PF	For Doors up to 30" wide x 84" tall	43/1	\$289.30
203070PF	For Doors up to 36" wide x 84" tall	45/1	\$303.66
204070PF	For Doors up to 48" wide x 84" tall	65/1	\$387.56
205070PF	For Doors up to 60" wide x 84" tall	83/1	\$474.22
Frames for 96" Tall Doors			
202680PF	For Doors up to 30" wide x 96" tall	47/1	\$316.72
203080PF	For Doors up to 36" wide x 96" tall	49/1	\$329.89
204080PF	For Doors up to 48" wide x 96" tall	70/1	\$422.56
205080PF	For Doors up to 60" wide x 96" tall	90/1	\$514.57
Frames for 108" Tall Doors			
202690PF	For Doors up to 30" wide x 108" tall	50/1	\$345.58
203090PF	For Doors up to 36" wide x 108" tall	52/1	\$360.92
204090PF	For Doors up to 48" wide x 108" tall	75/1	\$463.18
205090PF	For Doors up to 60" wide x 108" tall	97/1	\$557.61

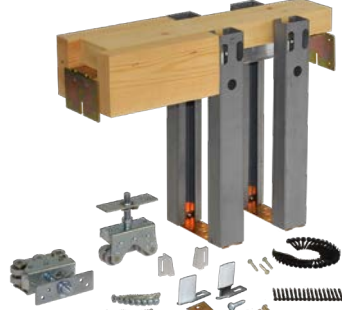
2060 Commercial Grade Pocket Door Frame for 1 1/8" to 2 1/4" Thick Doors to 400 lbs. (2" x 6" Stud Wall)



ORDERING DATA



For 2 x 6 Construction. Heavy duty pocket door frame featuring heavy gauge all steel split studs for maximum wall rigidity. New all steel split stud design makes a pocket door wall sheeted with standard wall board material comparable in stiffness to standard non pocket door stud walls and eliminates warpage. The 2060 is packaged for easy transport and fast installation in standard 2 X 6 timber or steel framed stud walls. Versatile frames can be adapted for use in thicker walls, block walls and cut down to accept any smaller door size. Now comes with the 2041 hidden guide set.



2060

Accessories			
2050PLBG	Converging Door Kit	10/10	\$16.98
2076PLBG	6" Steel Stud Wall Adapter Kit	10/10	\$11.61
2027SD-1	2060 Hardware Bag	25/68	\$64.64

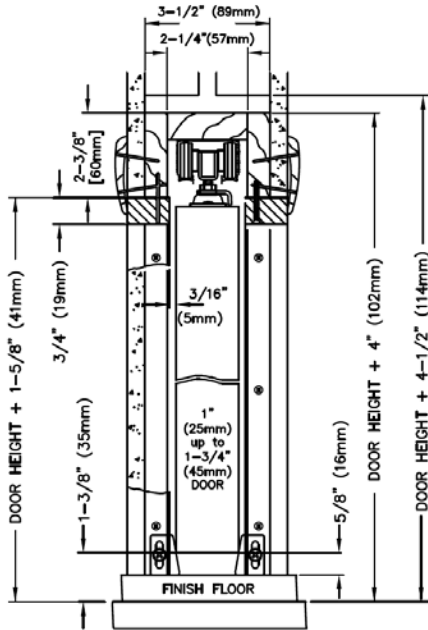
2060 Series Pocket Door Frame Prices

Note: Frames marked with an * will ship **FREIGHT COLLECT** if not shipped with a stock order of more than \$1,900 LIST.

Item No.	Max Door Size	lbs/Case	Price
Frames for 80" Tall Doors			
20602668	For Doors up to 30" wide x 80" tall	52/1	\$355.63
20603068	For Doors up to 36" wide x 80" tall	55/1	\$373.21
20604068	For Doors up to 48" wide x 80" tall	78/1	\$500.24
20605068	For Doors up to 60" wide x 80" tall	99/1	\$620.91
Frames for 84" Tall Doors			
20602670	For Doors up to 30" wide x 84" tall	53/1	\$370.57
20603070	For Doors up to 36" wide x 84" tall	56/1	\$388.15
20604070	For Doors up to 48" wide x 84" tall	80/1	\$510.19
20605070	For Doors up to 60" wide x 84" tall	102/1	\$634.17
Frames for 96" Tall Doors			
20602680	For Doors up to 30" wide x 96" tall	58/1	\$390.76
20603080	For Doors up to 36" wide x 96" tall	61/1	\$408.34
20604080	For Doors up to 48" wide x 96" tall	87/1	\$548.72
20605080	For Doors up to 60" wide x 96" tall	111/1	\$674.36
Frames for 108" Tall Doors			
20602690	For Doors up to 30" wide x 108" tall	62/1	\$416.91
20603090	For Doors up to 36" wide x 108" tall	65/1	\$433.15
20604090	For Doors up to 48" wide x 108" tall	94/1	\$580.02
20605090	For Doors up to 60" wide x 108" tall	120/1	\$714.33



ORDERING DATA



1500HD

For 2 x 4 Construction. Removable aluminum track with convex rails for smooth quiet operation, rust resistant steel reinforced wood split studs, jump proof three wheel (1" dia.) hangers, self adjusting floor anchors, 2'6" and 3'0" headers marked to cut to smaller door sizes. Brass-tone steel parts. All frames for doors up to 1 3/4".

1500 Series Pocket Door Frame Prices

Item No.	Max Door Size	lbs/Case	Price
Frames for 80" Tall Doors up to 200 lbs. (Uses 1125 Ball Bearing Hanger)			
152068HD	For Doors up to 24" wide x 80" tall x 1 3/4"	28/1	\$156.85
152468HD	For Doors up to 28" wide x 80" tall x 1 3/4"	29/1	\$161.42
152668HD	For Doors up to 30" wide x 80" tall x 1 3/4"	30/1	\$164.02
152868HD	For Doors up to 32" wide x 80" tall x 1 3/4"	30/1	\$165.90
153068HD	For Doors up to 36" wide x 80" tall x 1 3/4"	30/1	\$173.28
153668HD	For Doors up to 42" wide x 80" tall x 1 3/4"	40/1	\$261.23
154068HD	For Doors up to 48" wide x 80" tall x 1 3/4"	42/1	\$250.36
Frames for 84" Tall Doors up to 200 lbs. (Uses 1125 Ball Bearing Hanger)			
152070HD	For Doors up to 24" wide x 84" tall x 1 3/4"	32/1	\$161.85
152470HD	For Doors up to 28" wide x 84" tall x 1 3/4"	34/1	\$166.56
152670HD	For Doors up to 30" wide x 84" tall x 1 3/4"	35/1	\$169.24
152870HD	For Doors up to 32" wide x 84" tall x 1 3/4"	37/1	\$171.17
153070HD	For Doors up to 36" wide x 84" tall x 1 3/4"	39/1	\$175.92
153670HD	For Doors up to 42" wide x 84" tall x 1 3/4"	43/1	\$283.14
154070HD	For Doors up to 48" wide x 84" tall x 1 3/4"	50/1	\$291.51
Frames for 96" Tall Doors up to 200 lbs. (Uses 1125 Ball Bearing Hanger)			
152080HD	For Doors up to 24" wide x 96" tall x 1 3/4"	35/1	\$186.36
152480HD	For Doors up to 28" wide x 96" tall x 1 3/4"	39/1	\$191.76
152680HD	For Doors up to 30" wide x 96" tall x 1 3/4"	40/1	\$192.24
152880HD	For Doors up to 32" wide x 96" tall x 1 3/4"	41/1	\$194.26
153080HD	For Doors up to 36" wide x 96" tall x 1 3/4"	43/1	\$201.48
153680HD	For Doors up to 42" wide x 96" tall x 1 3/4"	44/1	\$315.95
154080HD	For Doors up to 48" wide x 96" tall x 1 3/4"	50/1	\$325.17

Item No.	Description	lbs/Case	Price
Accessories			
10312705	Replacement Ball Bearing Hardware Kit	16/25	\$23.94
1555PPK3	Converging Door Kit	6/10	\$9.60
2041PLBG	Hidden Guide Set	1.7/10	\$8.93
1574PLBG	4" Steel Stud Wall Adapter Kit	10/10	\$8.72
All Steel Uprights			
Please Note: 3'6" and 4'0" Frames have 1 extra pair of uprights.			
1568STUP	80" Upright Pair with 1 3/8" Floor Bracket	72/6	\$43.78
1570STUP	84" Upright Pair with 1 3/8" Floor Bracket	75/6	\$47.85
1580STUP	96" Upright Pair with 1 3/8" Floor Bracket	86/6	\$56.48
Hangers			
1125	Ball-Bearing Hanger, max weight 200 lbs.	23/50	\$11.31
1060	Single Soft Close Hanger	1/1	\$46.55
1060SOFT	Soft Close Hanger and 1125 Hanger	6.7/5	\$61.22
1121	Hanger Plate w/ screws	9/100	\$1.89

◀◀ **SOFT-Close/Open** ▶▶
Compatible

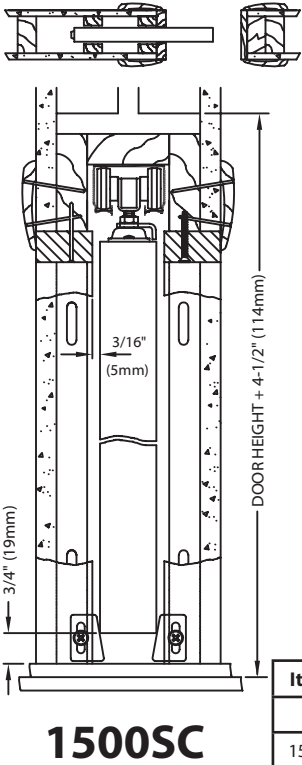


Add 25% for less than full carton quantities.

1500SC Soft Close and Open Commercial Grade Pocket Door Frame for 1" to 1 3/4" Thick Doors to 200 lbs.



ORDERING DATA



For 2 x 4 Construction. Same features as the 1500 Series frame, but it includes two 1060 soft close assemblies to enable both soft close and soft open along with the smooth rolling of ball-bearing hangers. Now come standard with the new All-Steel Studs. More rigid and works for 1 3/4" thick doors right out of the box. No Adapter needed.



Item No.	Description	lbs/Case	Price
Accessories			
1555PPK3	Converging Door Kit	6/10	\$9.60
2041PLBG	Hidden Guide Set	1.7/10	\$8.93
1574PLBG	4" Steel Stud Adapter Kit	10/10	\$8.72

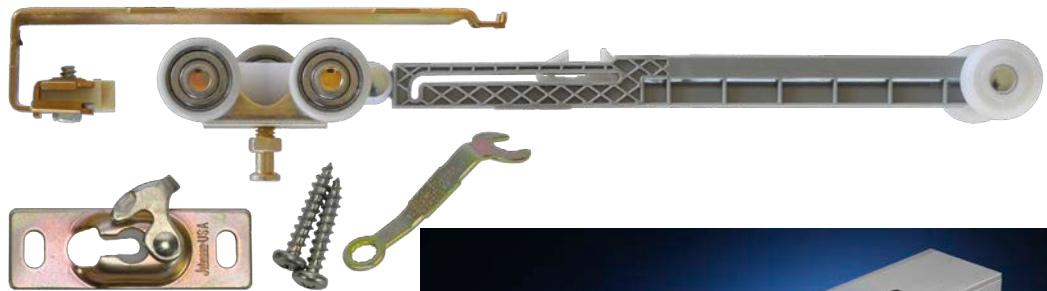
1500 Series Pocket Door Frame Prices

Item No.	Max Door Size	lbs/Case	Price
Frames for 80" Tall Doors and up to 1 3/4" Thick			
152468SC	For Doors up to 28" wide x 80" tall	30/1	\$236.69
152668SC	For Doors up to 30" wide x 80" tall	30/1	\$239.59
152868SC	For Doors up to 32" wide x 80" tall	30/1	\$241.67
153068SC	For Doors up to 36" wide x 80" tall	30/1	\$251.05
153668SC	For Doors up to 42" wide x 80" tall	40/1	\$329.58
154068SC	For Doors up to 48" wide x 80" tall	42/1	\$340.97
Frames for 84" Tall Doors up to 1 3/4" Thick			
152470SC	For Doors up to 28" wide x 84" tall	34/1	\$241.75
152670SC	For Doors up to 30" wide x 84" tall	35/1	\$244.64
152870SC	For Doors up to 32" wide x 84" tall	37/1	\$246.72
153070SC	For Doors up to 36" wide x 84" tall	39/1	\$251.86
153670SC	For Doors up to 42" wide x 84" tall	43/1	\$356.05
154070SC	For Doors up to 48" wide x 84" tall	50/1	\$364.65
Frames for 96" Tall Doors up to 1 3/4" Thick			
152480SC	For Doors up to 28" wide x 96" tall	39/1	\$265.45
152680SC	For Doors up to 30" wide x 96" tall	40/1	\$265.87
152880SC	For Doors up to 32" wide x 96" tall	41/1	\$267.96
153080SC	For Doors up to 36" wide x 96" tall	43/1	\$273.09
153680SC	For Doors up to 42" wide x 96" tall	44/1	\$388.39
154080SC	For Doors up to 48" wide x 96" tall	50/1	\$398.24

1060 Soft Close Assembly



ORDERING DATA



Item No.	Lbs./Case Qty	Pkg. List
1060	1/1	\$46.55
1060SOFT	6.7/5	\$61.22



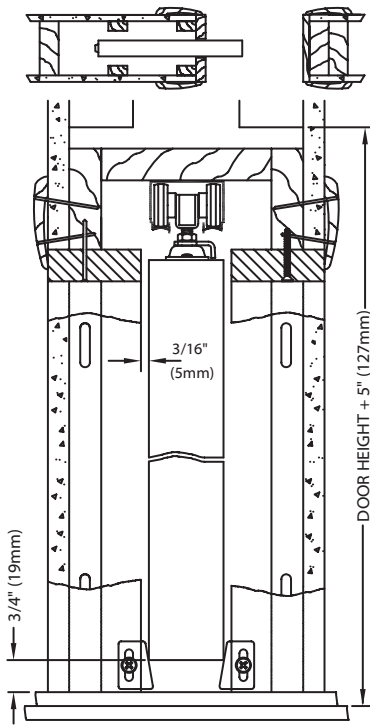
◀◀ **SOFT-Close/Open** ▶▶

- Make your sliding doors Soft Close quietly and securely.
- Doors up to 200 lbs(91kg) are smoothly braked and pulled into the closed position.
- Use with new or existing Johnson Hardware Sliding and Pocket Door Hardware. Any sliding door track profile that uses the 1120/1125 hanger can utilize the 1060 Soft Close. Works with the following Hardware Series: 138F, 134F, 100PD, 100SD, 2610F, 1500, 1560, 1562, 2710
- Holds door securely in place, closed or open.
- Prevents door slamming or pinched fingers between door and jamb.
- Use 1 1060SOFT Set per door for "soft-close" OR "soft-open" when you are converting a setup previously using our 1120 standard bearing hangers. Use 1 1060 when converting a setup previously using our 1125 ball-bearing hangers. Minimum 24" (609mm) wide doors.
- Use 2 1060's per door for "soft-close" AND "soft-open". Pocket Doors Minimum 28" (711mm) wide doors. Bypass and Wall-Mount Minimum 24" (609mm) wide doors.

1560 Commercial Grade Pocket Door Frame for 1" to 3" Thick Doors to 200 lbs. (2" x 6" Stud Wall)



ORDERING DATA



For 2 x 6 Construction. Removable aluminum track with convex rails, rust resistant steel reinforced wood split studs, jump proof three wheel (1" dia.) ball bearing hangers, self-adjusting floor anchors, headers marked to cut to smaller door sizes. Brass-tone steel parts.



1560

SOFT-Close/Open
Compatible

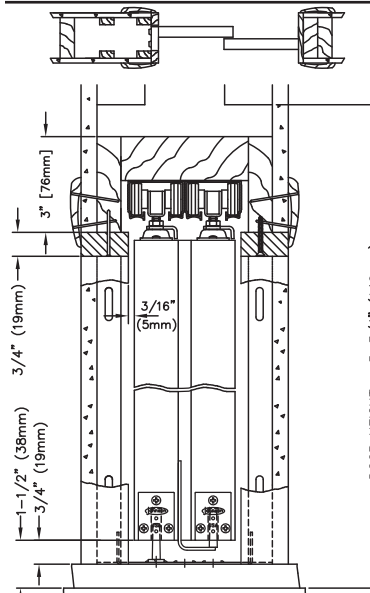
1560 Series Pocket Door Frame Prices

Item No.	Max Door Size	lbs/Case	Price
Frames for 80" Tall Doors			
15602668	For Doors up to 30" wide x 80" tall	31/1	\$207.39
15603068	For Doors up to 36" wide x 80" tall	33/1	\$214.85
15604068	For Doors up to 48" wide x 80" tall	58/1	\$327.29
Frames for 84" Tall Doors			
15602670	For Doors up to 30" wide x 84" tall	38/1	\$229.52
15603070	For Doors up to 36" wide x 84" tall	40/1	\$238.98
15604070	For Doors up to 48" wide x 84" tall	61/1	\$345.71
Frames for 96" Tall Doors			
15602680	For Doors up to 30" wide x 96" tall	41/1	\$249.82
15603080	For Doors up to 36" wide x 96" tall	43/1	\$259.65
15604080	For Doors up to 48" wide x 96" tall	66/1	\$388.02
Accessory			
1555PPK3	Converging Door Kit	6/10	\$9.60
2041PLBG	Hidden Guide Set	1.7/10	\$8.93
1576PLBG	6" Steel Stud Wall Adapter Kit	10/10	\$8.77

1562 Commercial Grade Bypass Pocket Door Frame for 1 3/8" Thick Doors to 200 lbs. (2" x 6" Stud Wall)



ORDERING DATA



1562

SOFT-Close/Open
Compatible

For 2 x 6 Construction. The 1562 Series Bypass Pocket Door Frame is designed to carry 2 bypassing doors up to 200 lbs. each in a standard 2 x 6 timber or steel framed stud wall. The 1562 allows architects and designers to specify large room dividing openings with minimum wall usage. The 1562 Frame Kit is factory configured to accept many standard door sizes and packaged for easy transport and fast installation in either bypass pocket door or converging bypass pocket door applications. This frame utilizes the 100PD Hardware Series and no bottom track is needed.

1562 Series Pocket Door Frame Prices

Note: Frames marked with an * will ship **FREIGHT COLLECT** if not shipped with a stock order of more than \$1,900 LIST.

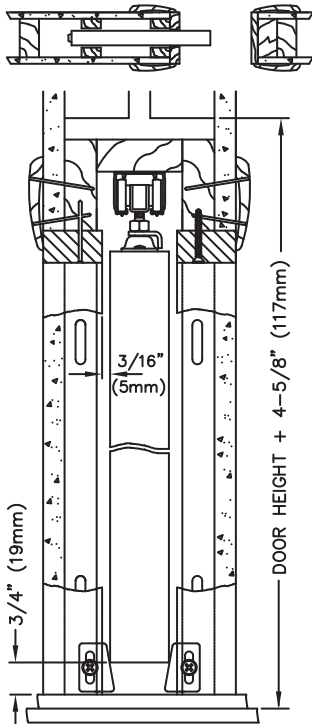
Item No.	Max Door Size	lbs/Case	Price
Frames for 80" Tall Doors			
15621668	Doors up to 18" x 80" For 36" Opening	46/1	\$306.23
15622068	Doors up to 24" x 80" For 48" Opening	50/1	\$329.74
15622668	Doors up to 30" x 80" For 60" Opening	56/1	\$384.66
*15623068	Doors up to 36" x 80" For 72" Opening	63/1	\$431.24
Frames for 84" Tall Doors			
15621670	Doors up to 18" x 84" For 36" Opening	47/1	\$347.59
15622070	Doors up to 24" x 84" For 48" Opening	51/1	\$373.05
15622670	Doors up to 30" x 84" For 60" Opening	57/1	\$421.42
*15623070	Doors up to 36" x 84" For 72" Opening	64/1	\$471.92
Frames for 96" Tall Doors			
15621680	Doors up to 18" x 96" For 36" Opening	50/1	\$359.87
15622080	Doors up to 24" x 96" For 48" Opening	54/1	\$385.33
15622680	Doors up to 30" x 96" For 60" Opening	61/1	\$433.69
*15623080	Doors up to 36" x 96" For 72" Opening	67/1	\$484.20
Accessory			
1556PLBG	Converging Door Kit	6/10	\$8.64
1576PLBG	6" Steel Stud Wall Adapter Kit	10/10	\$8.77

Add 25% for less than full carton quantities.

1500PF Commercial Grade Pocket Door Frame for 3/4" to 1 3/8" Thick Doors
(1 3/4" with 1575 Adaptor Kit) to 125 lbs. (200 lbs. with 1125 Hanger)



ORDERING DATA



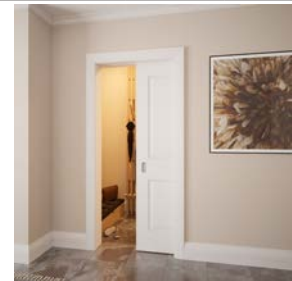
For 2 x 4 Construction. Removable aluminum track with convex rails for smooth quiet operation, rust resistant steel reinforced wood split studs, jump proof three wheel (1" dia.) hangers, self adjusting floor anchors, 2'6" and 3'0" headers marked to cut to smaller door sizes. Brass-tone steel parts. All frames for doors up to 1 3/8" can be converted for 1 3/4" doors with 1575PPK3 adaptor kit.



1500PF

1500PF Series Pocket Door Frame Prices

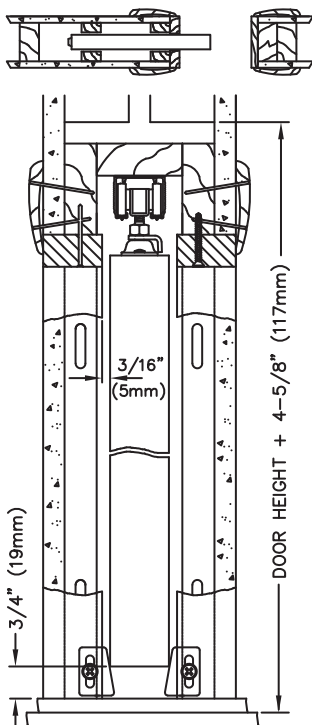
Item No.	Max Door Size	lbs/Case	Price
Frames for 80" Tall Doors up to 80 lbs.			
152068PF	For Doors up to 24" wide x 80" tall x 1 3/8"	28/1	\$150.56
152468PF	For Doors up to 28" wide x 80" tall x 1 3/8"	29/1	\$154.62
152668PF	For Doors up to 30" wide x 80" tall x 1 3/8"	30/1	\$157.15
152868PF	For Doors up to 32" wide x 80" tall x 1 3/8"	30/1	\$158.60
153068PF	For Doors up to 36" wide x 80" tall x 1 3/8"	30/1	\$163.09
Accessories			
1500PPK3	Hardware Replacement Set (80 lbs.)	5/10	\$17.55
1555PPK3	Converging Door Kit	6/10	\$9.60
1575PPK3	1-3/4" Door Adapter Kit	4/10	\$7.81
1125PLB2	Pair of Hangers for 200 lbs. Doors	5/10	\$22.75
2041PLBG	Hidden Guide Set	1.7/10	\$8.93
1120	Standard Hanger, max weight 125 lbs	13/50	\$5.85
1121	Hanger Plate w/ screws	9/100	\$1.89
1060	Single Soft Close Hanger	1/1	\$46.55
1060SOFT	Soft Close Hanger and 1125 Hanger	6.7/5	\$61.22



2511 Commercial Grade Pocket Door Frame for 3/4" to 1 3/8" Thick Doors
(1 3/4" with 1575 Adaptor Kit) to 80 lbs. (150 lbs. with 1025 Hanger)



ORDERING DATA



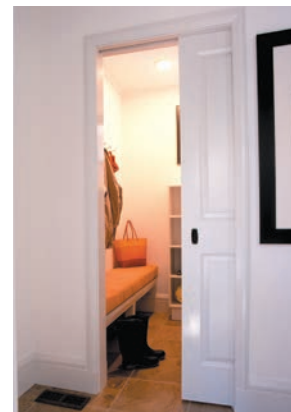
For 2 x 4 Construction. Removable aluminum track with convex rails for smooth quiet operation, rust resistant steel reinforced wood split studs, jump proof three wheel (3/4" dia.) hangers, self adjusting floor anchors, 2'6" and 3'0" headers marked to cut to smaller door sizes. Brass-tone steel parts. All frames for doors up to 1 3/8" can be converted for 1 3/4" doors with 1575PPK3 adaptor kit. Very similar to 1500 Series Frame, but with smaller diameter hanger.



2511

2511 Series Pocket Door Frame Prices

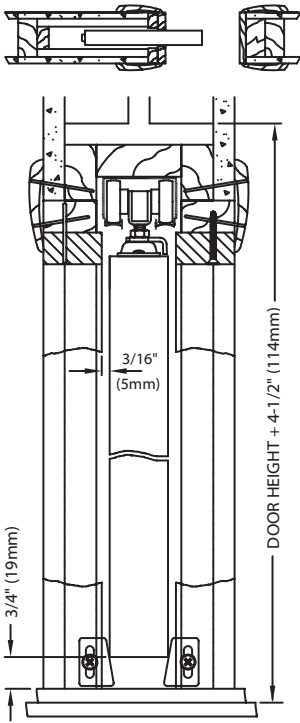
Item No.	Max Door Size	lbs/Case	Price
Frames for 80" Tall Doors up to 80 lbs.			
25112668	For Doors up to 30" wide x 80" tall x 1 3/8"	27/1	\$150.55
25113068	For Doors up to 36" wide x 80" tall x 1 3/8"	29/1	\$155.28
Frames for 80" Tall Doors up to 150 lbs. (Uses 1025 Ball Bearing Hanger)			
252668HD	For Doors up to 30" wide x 80" tall x 1 3/8"	27/1	\$162.88
253068HD	For Doors up to 36" wide x 80" tall x 1 3/8"	29/1	\$168.29
Accessories			
2511PPK3	Hardware Replacement Set (80 lbs.)	4/10	\$15.27
1555PPK3	Converging Door Kit	6/10	\$9.60
1575PPK3	1-3/4" Door Adapter Kit	4/10	\$7.81
1025PLB2	Pair of Hangers for 150 lbs. Doors	4/10	\$19.49
2041PLBG	Hidden Guide Set	1.7/10	\$8.93



2710 Fabricated Pocket Door Frame for 1" to 1 3/8" Thick Doors to 125 lbs. (200 lbs. with 1125 Hanger)



ORDERING DATA



A "pre-assembled" pocket door frame with 10 horizontal members for 2" x 4" construction. Removable aluminum track with convex rails, jump proof three wheel (1" dia.) hangers. Brass-tone steel parts. *Optional hanger #1125 available for doors to 200 lbs.*

Note: Minimum of 40 Frames on any one order, and they will ship FREIGHT COLLECT if not shipped with a stock order of more than \$7,900 LIST.



2710

◀◀ **SOFT-Close/Open** ▶▶
Compatible

Item No.	Description	lbs/Case	Price
Accessories			
1500PPK3	Hardware Kit (125 lbs.)	5/10	\$17.55
1555PPK3	Converging Door Kit	6/10	\$9.60

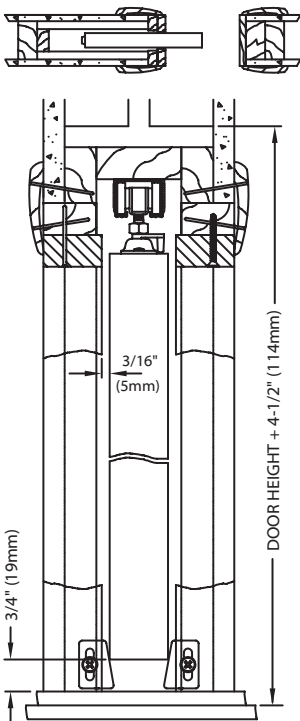
2710 Series Pocket Door Frame Prices

Item No.	Max Door Size	lbs/Case	Price
Frames for 80" Tall Doors up to 125 lbs.			
27102068	For Doors up to 24" wide x 80" tall x 1 3/8"	23/1	\$165.05
27102468	For Doors up to 28" wide x 80" tall x 1 3/8"	26/1	\$173.97
27102668	For Doors up to 30" wide x 80" tall x 1 3/8"	27/1	\$178.56
27102868	For Doors up to 32" wide x 80" tall x 1 3/8"	28/1	\$188.09
27103068	For Doors up to 36" wide x 80" tall x 1 3/8"	31/1	\$190.18
Frames for 80" Tall Doors up to 200 lbs. (Uses 1125 Ball Bearing Hanger)			
27H02068	For Doors up to 24" wide x 80" tall x 1 3/8"	23/1	\$176.95
27H02468	For Doors up to 28" wide x 80" tall x 1 3/8"	26/1	\$188.17
27H02668	For Doors up to 30" wide x 80" tall x 1 3/8"	27/1	\$192.94
27H02868	For Doors up to 32" wide x 80" tall x 1 3/8"	28/1	\$205.35
27H03068	For Doors up to 36" wide x 80" tall x 1 3/8"	31/1	\$209.54
Frames for 84" Tall Doors up to 200 lbs. (Uses 1125 Ball Bearing Hanger)			
27102070	For Doors up to 24" wide x 84" tall x 1 3/8"	30/1	\$185.14
27102470	For Doors up to 28" wide x 84" tall x 1 3/8"	33/1	\$196.62
27102670	For Doors up to 30" wide x 84" tall x 1 3/8"	34/1	\$201.50
27102870	For Doors up to 32" wide x 84" tall x 1 3/8"	38/1	\$214.19
27103070	For Doors up to 36" wide x 84" tall x 1 3/8"	39/1	\$218.49
Frames for 96" Tall Doors up to 200 lbs. (Uses 1125 Ball Bearing Hanger)			
27102080	For Doors up to 24" wide x 96" tall x 1 3/8"	38/1	\$231.75
27102480	For Doors up to 28" wide x 96" tall x 1 3/8"	42/1	\$245.48
27102680	For Doors up to 30" wide x 96" tall x 1 3/8"	43/1	\$251.42
27102880	For Doors up to 32" wide x 96" tall x 1 3/8"	47/1	\$267.08
27103080	For Doors up to 36" wide x 96" tall x 1 3/8"	48/1	\$271.74

2711 Fabricated Pocket Door Frame for 3/4" to 1 3/8" Thick Doors to 80 lbs. (150 lbs. with 1025 Hanger)



ORDERING DATA



A "pre-assembled" pocket door frame with 10 horizontal members for 2" x 4" construction. Removable aluminum track with convex rails, jump proof three wheel (3/4" dia.) hangers. Brass-tone steel parts. *Optional hanger #1025 available for doors to 150 lbs.*



2711



Note: Minimum of 40 Frames on any one order, and they will ship FREIGHT COLLECT if not shipped with a stock order of more than \$7,900 LIST.

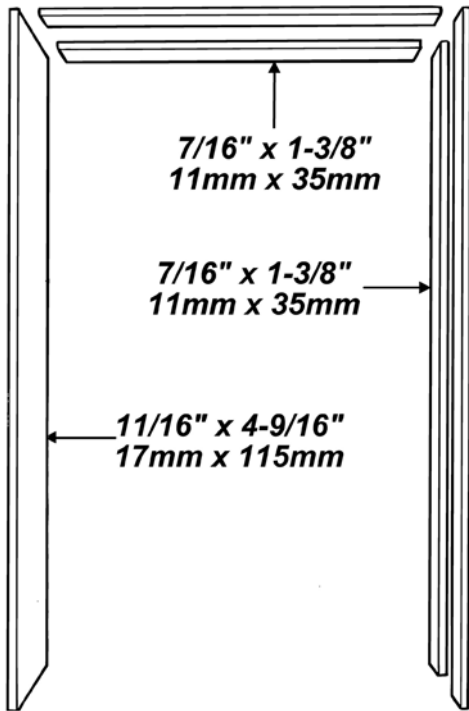
2711 Series Pocket Door Frame Prices

Item No.	Max Door Size	lbs/Case	Price
Frames for 80" Tall Doors up to 80 lbs.			
27112068	For Doors up to 24" wide x 80" tall x 1 3/8"	23/1	\$157.89
27112468	For Doors up to 28" wide x 80" tall x 1 3/8"	26/1	\$166.01
27112668	For Doors up to 30" wide x 80" tall x 1 3/8"	27/1	\$170.25
27112868	For Doors up to 32" wide x 80" tall x 1 3/8"	28/1	\$179.27
27113068	For Doors up to 36" wide x 80" tall x 1 3/8"	31/1	\$182.90
Frames for 80" Tall Doors up to 150 lbs. (Uses 1025 Ball Bearing Hanger)			
27H12068	For Doors up to 24" wide x 80" tall x 1 3/8"	23/1	\$169.85
27H12468	For Doors up to 28" wide x 80" tall x 1 3/8"	26/1	\$180.26
27H12668	For Doors up to 30" wide x 80" tall x 1 3/8"	27/1	\$184.69
27H12868	For Doors up to 32" wide x 80" tall x 1 3/8"	28/1	\$196.65
27H13068	For Doors up to 36" wide x 80" tall x 1 3/8"	31/1	\$200.05
Accessories			
2511PPK3	Replacement Hardware Kit (80 lbs.)	3/10	\$15.27
1555PPK3	Converging Door Kit	6/10	\$9.60

Add 25% for less than full carton quantities.



ORDERING DATA



Item No.	Max Door Size	LBS/Case	Price
15103068	3'0" x 6'8"	20/3	\$58.46
15113068	3'0" x 6'8"	20/3	\$101.73

A fast, convenient method of finishing a Pocket Door Installation. Just cut to length and install. No ripping of special thickness stock. Presanded so finishing is a snap.

Package includes 5 boards. Two split header boards, two split jamb boards, and a strike jamb board. (Since a wide variety of casings are available, they are not included)

Jamb can be cut down for smaller sized doors.

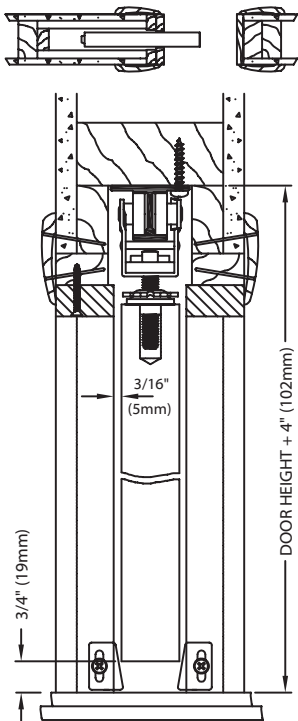
Cannot be used with the 2000 Series Frame..



1510/1511



ORDERING DATA



Item No.	Max Door Size	Lbs./Case	Pkg. Price	Bulk Price
200481DR	One 2'0" Door	Bulk Only/		\$102.42
200601DR	One 2'6" Door	5/Case		\$110.35
200721DR	One 3'0" Door	7/1	\$130.39	\$117.73
200961DR	One 4'0" Door	9/1	\$148.43	\$134.48

Bulk 5/Case

200PD Components

Qty	Part #
1	200 Track
2	2020 Hangers
1	1550 Guides
1	1513 Bumper

A deluxe commercial grade hardware set. Can be used for pocket doors or in combination with itself to make special installations of sliding doors. Heavy duty I-beam aluminum track. Four wheel (1" dia.) ball bearing hangers. Plated steel parts. Tracks can be cut down for smaller applications.

200PD Hardware Set

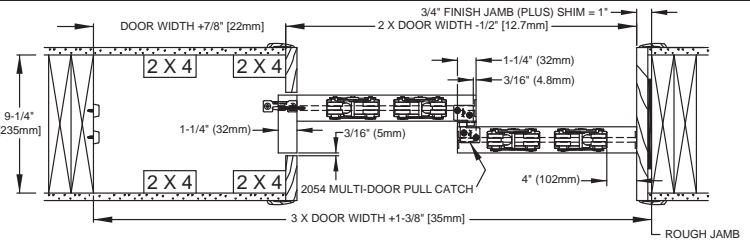
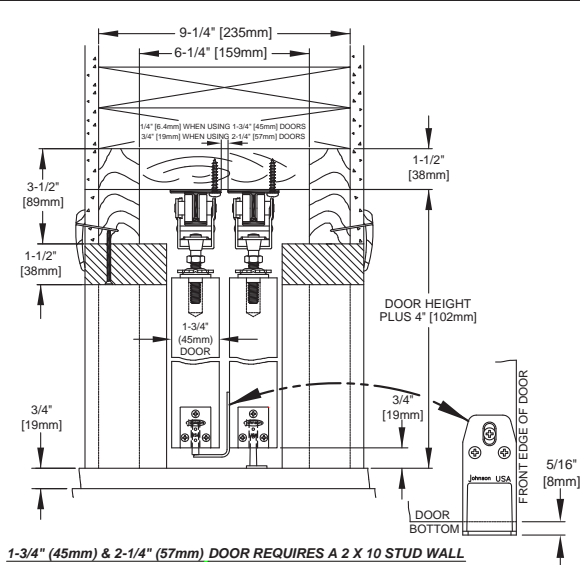


200PD

200BP Commercial Grade Bypass Pocket Door Hardware for 1 3/4" or 2 1/4" Doors to 400 lbs./each



ORDERING DATA



Item No.	Max Door Size	Lbs./Case	Pkg. Price	Bulk Price
20BP0722	Two 2'0" Doors 1 3/4" Thick	Bulk Only		\$258.30
20BP0723	Two 2'0" Doors 2 1/4" Thick	5/Carton		\$258.30
20BP0962	Two 2'8" Doors 1 3/4" Thick	Bulk Only		\$291.80
20BP0963	Two 2'8" Doors 2 1/4" Thick	5/Carton		\$291.80
20BP1062	Two 3'0" Doors 1 3/4" Thick	Bulk Only		\$329.86
20BP1063	Two 3'0" Doors 2 1/4" Thick	5/Carton		\$329.86
20BP1442	Two 4'0" Doors 1 3/4" Thick	Bulk Only		\$361.72
20BP1443	Two 4'0" Doors 2 1/4" Thick	5/Carton		\$361.72

200BP

An extra heavy duty bypass commercial pocket door hardware set. This set can carry heavy duty solid core doors up to 400 lbs each. No bottom track required. It utilizes trackless guide posts that allow the doors to guide each other. The tracks are precision extruded heavy gauge aluminum I-beam track that will not allow the wheels to "jump" the track. It utilizes fully adjustable/removable door hangers for precision fit and finish. The wheels themselves have smooth rolling nylon exteriors with individually caged ball-bearings around the axle. This is quite simply our best line of hardware that we make.

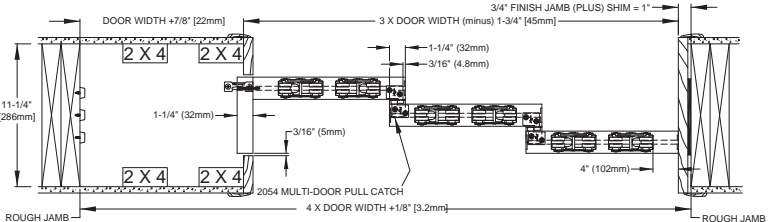
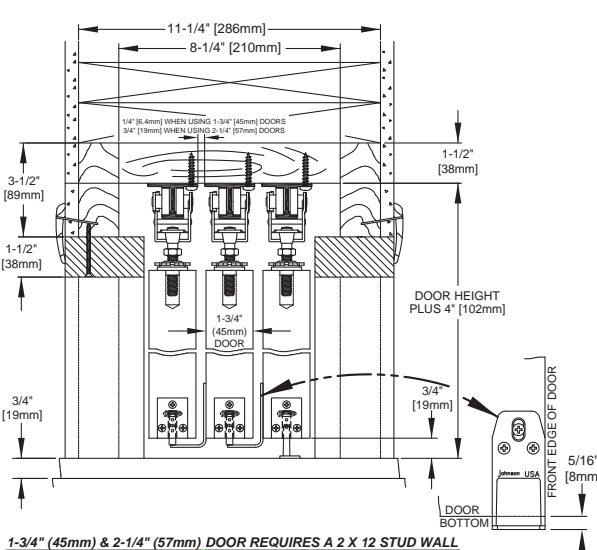
For converging doors, 2 doors going right and 2 doors going left, meeting in the middle, just order two hardware sets. One for each side.



200MP Commercial Grade Multi-Pass Pocket Door Hardware for 1 3/4" or 2 1/4" Doors to 400 lbs./each



ORDERING DATA

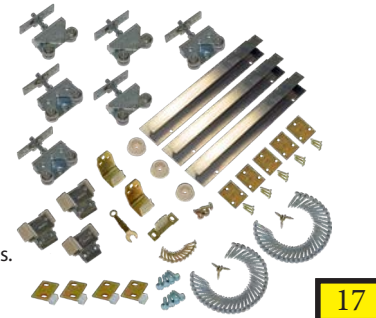


Item No.	Max Door Size	Lbs./Case	Pkg. Price	Bulk Price
20MP0962	Three 2'0" Doors 1 3/4" Thick	Bulk Only		\$438.56
20MP0963	Three 2'0" Doors 2 1/4" Thick	5/Carton		\$438.56
20MP1202	Three 2'6" Doors 1 3/4" Thick	Bulk Only		\$495.68
20MP1203	Three 2'6" Doors 2 1/4" Thick	5/Carton		\$495.68
20MP1442	Three 3'0" Doors 1 3/4" Thick	Bulk Only		\$543.44
20MP1443	Three 3'0" Doors 2 1/4" Thick	5/Carton		\$543.44
20MP1922	Three 4'0" Doors 1 3/4" Thick	Bulk Only		\$645.08
20MP1923	Three 4'0" Doors 2 1/4" Thick	5/Carton		\$645.08

200MP

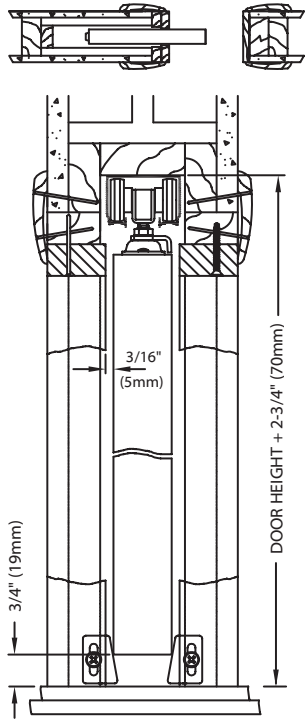
An extra heavy duty multi-pass commercial pocket door hardware set. Similar to the 200BP, but with enough hardware to carry three doors. This can carry heavy duty solid core doors up to 400 lbs each. No bottom track required. It utilizes trackless guide posts allowing the doors to guide each other. The tracks are precision extruded heavy gauge aluminum I-beam track that will not allow the wheels to "jump" the track. It utilizes fully adjustable/removable door hangers for precision fit and finish. The wheels themselves have smooth rolling nylon exteriors with individually caged ball-bearings around the axle. This is quite simply our best line of hardware that we make.

For converging doors, 3 doors going right and 3 doors going left, meeting in the middle, just order two hardware sets. One for each side.





ORDERING DATA



Item No.	Max Door Size	Lbs./Case	Pkg. Price	Bulk Price	HD Price
100481DR	One 2'0" Door	12/5	\$39.38	\$28.86	\$58.19
100601DR	One 2'6" Door	14/5	\$43.59	\$32.44	\$61.95
100721DR	One 3'0" Door	16/5	\$46.97	\$36.13	\$67.97
100961DR	One 4'0" Door	20/5	\$56.45	\$45.45	\$79.94

100PD Components

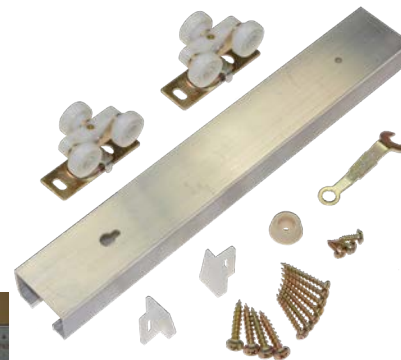
Qty	Part #
1	100 Track
2	1120 Hangers
1	1550 Guides
1	1513 Bumper
1	1712 Wrench

Can be used for pocket doors or in combination with itself to make special installations of sliding doors. Aluminum track with convex rails, jump proof three wheel (1" dia.) hangers assure a smooth, quiet operation. Brass-tone steel parts. Tracks can be cut down for smaller applications. HD kit comes with 1125 ball bearing hangers and rated for 200 lbs.



Bulk 25/Carton HD 1/Carton

100PD Hardware Set



100PD

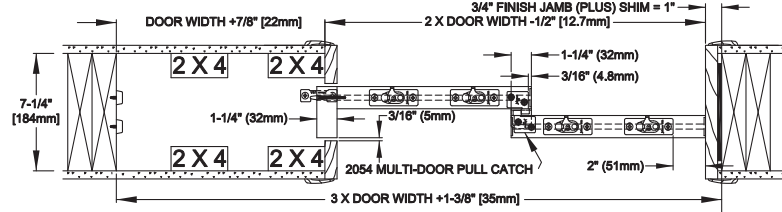
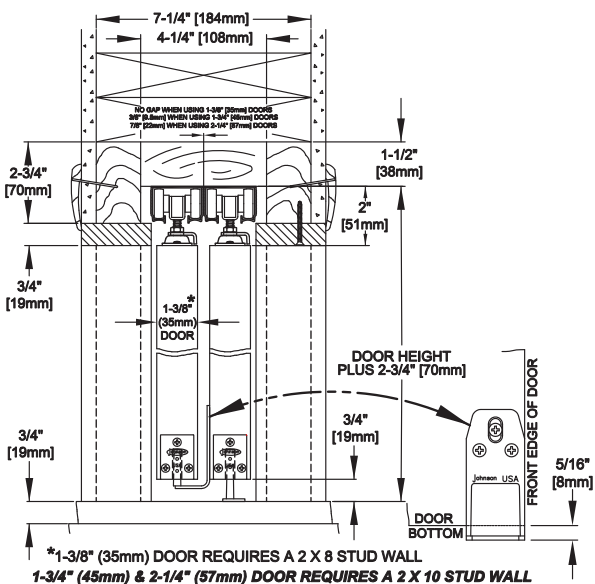
Compatible



100BP Commercial Grade Bypass Pocket Door Hardware
for 1 3/8", 1 3/4", or 2 1/4" Doors to 200 lbs./each



ORDERING DATA



Item No.	Max Door Size	Lbs./Case	Pkg. Price	Bulk Price
10BP0721	Two 2'0" Doors 1 3/8" Thick		Bulk Only	\$122.93
10BP0722	Two 2'0" Doors 1 3/4" Thick	25/Carton		\$122.93
10BP0961	Two 2'8" Doors 1 3/8" Thick		Bulk Only	\$141.57
10BP0962	Two 2'8" Doors 1 3/4" Thick	25/Carton		\$141.57
10BP1061	Two 3'0" Doors 1 3/8" Thick		Bulk Only	\$163.99
10BP1062	Two 3'0" Doors 1 3/4" Thick	25/Carton		\$163.99
10BP1441	Two 4'0" Doors 1 3/8" Thick		Bulk Only	\$188.07
10BP1442	Two 4'0" Doors 1 3/4" Thick	25/Carton		\$188.07

Sets for 2 1/4" Thick Doors Also Available

100BP

Compatible



A commercial grade bypass pocket door hardware set that can carry heavy doors up to 200 lbs. per door. No bottom track required. It utilizes trackless guide posts allowing the doors to guide each other. The set includes precision extruded aluminum "Jump Proof" box tracks. They use fully adjustable and removable door hangers for precision fit and finish. The hangers utilize three wheel, nylon encapsulated ball bearing hangers for a quiet and smooth roll.

For converging doors, 2 doors going right and 2 doors going left, meeting in the middle, just order two hardware sets. One for each side.

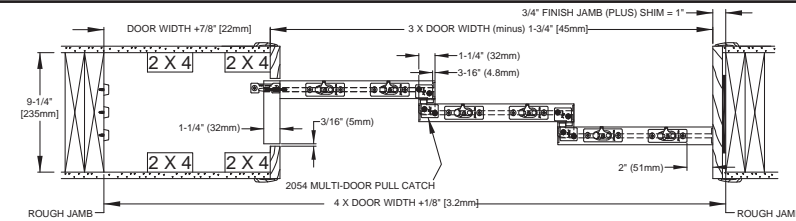
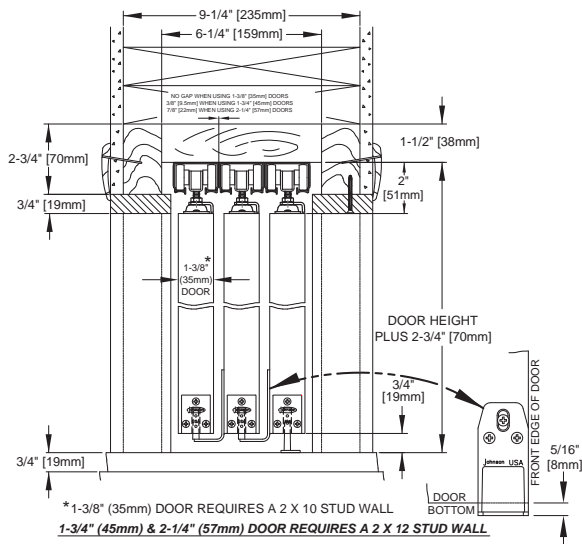


100MP Commercial Grade Multi Pass Pocket Door Hardware

for 1 3/8", 1 3/4", or 2 1/4" Doors to 200 lbs./each



ORDERING DATA



Item No.	Max Door Size	Lbs./Case	Pkg. Price	Bulk Price
10MP0961	Three 2'0" Doors 1 3/8" Thick		Bulk Only	\$216.26
10MP0962	Three 2'0" Doors 1 3/4" Thick	25/Case		\$216.26
10MP1201	Three 2'6" Doors 1 3/8" Thick		Bulk Only	\$255.53
10MP1202	Three 2'6" Doors 1 3/4" Thick	25/Case		\$255.53
10MP1441	Three 3'0" Doors 1 3/8" Thick		Bulk Only	\$286.01
10MP1442	Three 3'0" Doors 1 3/4" Thick	25/Case		\$286.01
10MP1921	Three 4'0" Doors 1 3/8" Thick		Bulk Only	\$347.75
10MP1922	Three 4'0" Doors 1 3/4" Thick	25/Case		\$347.75

Sets for 2 1/4" Thick Doors Also Available

100MP



Compatible

A commercial grade multi pass pocket door hardware set that can carry heavy doors up to 200 lbs. per door. No bottom track required. It utilizes trackless guide posts allowing the doors to guide each other. The set includes precision extruded aluminum "Jump Proof" box tracks. They use fully adjustable and removable door hangers for precision fit and finish. The hangers utilize three wheel, nylon encapsulated ball bearing hangers for a quiet and smooth roll.

For converging doors, 3 doors going right and 3 doors going left, meeting in the middle, just order two hardware sets. One for each side.

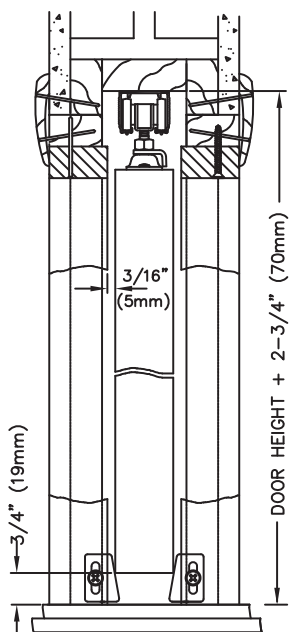
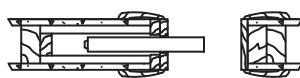


111PD Commercial Grade Pocket Door Hardware

for a 3/4" or Thicker Door to 80 lbs. (150 lbs. with 1025 Hangers)



ORDERING DATA



Item No.	Max Door Size	Lbs./Case	Pkg. Price	Bulk Price
111481DR	One 2'0" Door	8/5	\$27.83	\$22.25
111601DR	One 2'6" Door	9/5	\$31.17	\$25.22
111721DR	One 3'0" Door	10/5	\$34.06	\$27.84
111961DR	One 4'0" Door	12/5	\$40.29	\$33.78

111PD Components

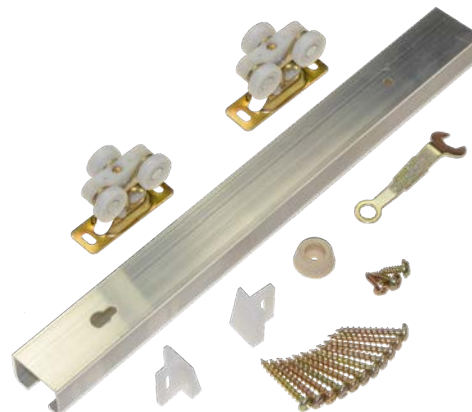
Qty	Part #
1	111 Track
2	1020 Hangers
1	1550 Guides
1	1513 Bumper
1	1712 Wrench

Bulk 25/Case

111PD Hardware Set

Can be used for pocket doors or in combination with itself to make special installations of sliding doors. Aluminum track with convex rails, jump proof three wheel (3/4" dia.) hangers assure a smooth, quiet operation. Brass-tone steel parts. Tracks can be cut down for smaller applications.

Optional Hanger #1025 available for doors up to 150 lbs.-Add \$9.78 (Bulk Only).

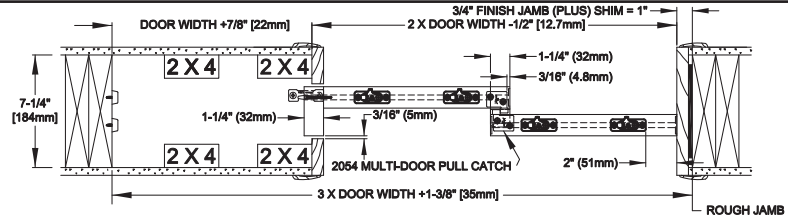
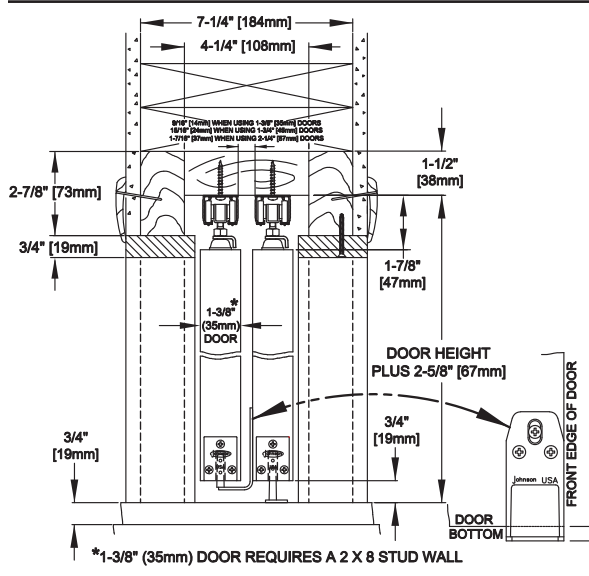


111PD

111BP Commercial Grade Bypass Pocket Door Hardware for 1 3/8", 1 3/4", or 2 1/4" Doors to 150 lbs./each



ORDERING DATA



Item No.	Max Door Size	Lbs./Case	Pkg. Price	Bulk Price
11BP0721	Two 2'0" Doors 1 3/8" Thick	Bulk Only		\$102.98
11BP0722	Two 2'0" Doors 1 3/4" Thick	25/Carton		\$102.98
11BP0961	Two 2'8" Doors 1 3/8" Thick	Bulk Only		\$114.86
11BP0962	Two 2'8" Doors 1 3/4" Thick	25/Carton		\$114.86
11BP1061	Two 3'0" Doors 1 3/8" Thick	Bulk Only		\$131.90
11BP1062	Two 3'0" Doors 1 3/4" Thick	25/Carton		\$131.90
11BP1441	Two 4'0" Doors 1 3/8" Thick	Bulk Only		\$158.24
11BP1442	Two 4'0" Doors 1 3/4" Thick	25/Carton		\$158.24

Sets for 2 1/4" Thick Doors Also Available

111BP

A commercial grade bypass pocket door hardware set that can carry heavy doors up to 150 lbs. per door. No bottom track required. It utilizes trackless guide posts allowing the doors to guide each other. The set includes precision extruded aluminum "Jump Proof" box tracks. They use fully adjustable and removable door hangers for precision fit and finish. The hangers utilize three wheel, nylon encapsulated ball bearing hangers for a quiet and smooth roll. Similar to the 100 Series, but with 3/4" dia wheels instead of 1" dia wheels.

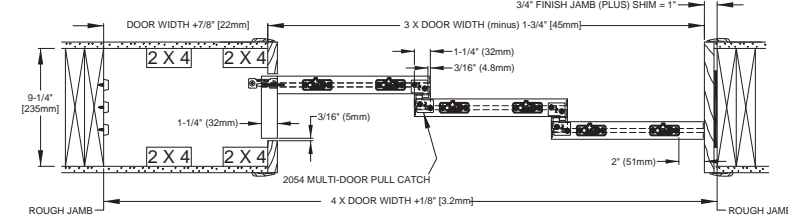
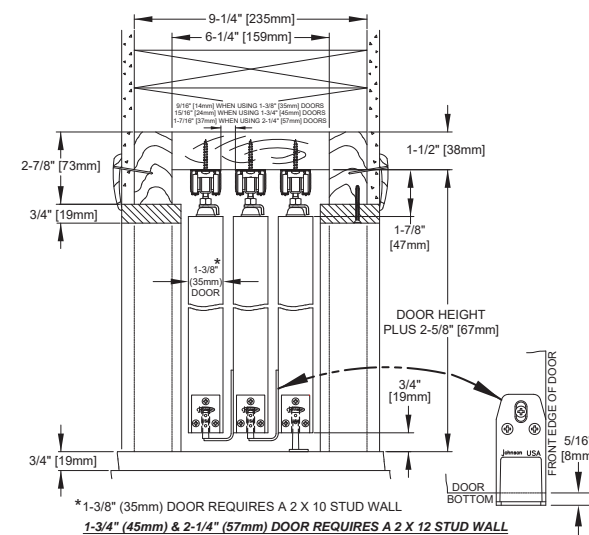
For converging doors, 2 doors going right and 2 doors going left, meeting in the middle, just order two hardware sets. One for each side.



111MP Commercial Grade Multi Pass Pocket Door Hardware for 1 3/8", 1 3/4", or 2 1/4" Doors to 150 lbs./each



ORDERING DATA



Item No.	Max Door Size	Lbs./Case	Pkg. Price	Bulk Price
11MP0961	Three 2'0" Doors 1 3/8" Thick	Bulk Only		\$176.11
11MP0962	Three 2'0" Doors 1 3/4" Thick	25/Carton		\$176.11
11MP1201	Three 2'6" Doors 1 3/8" Thick	Bulk Only		\$217.09
11MP1202	Three 2'6" Doors 1 3/4" Thick	25/Carton		\$217.09
11MP1441	Three 3'0" Doors 1 3/8" Thick	Bulk Only		\$241.18
11MP1442	Three 3'0" Doors 1 3/4" Thick	25/Carton		\$241.18
11MP1921	Three 4'0" Doors 1 3/8" Thick	Bulk Only		\$284.98
11MP1922	Three 4'0" Doors 1 3/4" Thick	25/Carton		\$284.98

Sets for 2 1/4" Thick Doors Also Available

111MP

A commercial grade multi pass pocket door hardware set that can carry heavy doors up to 150 lbs. per door. No bottom track required. It utilizes trackless guide posts allowing the doors to guide each other. The set includes precision extruded aluminum "Jump Proof" box tracks. They use fully adjustable and removable door hangers for precision fit and finish. The hangers utilize three wheel, nylon encapsulated ball bearing hangers for a quiet and smooth roll. Similar to the 100 Series, but with 3/4" dia wheels instead of 1" dia wheels.

For converging doors, 3 doors going right and 3 doors going left, meeting in the middle, just order two hardware sets. One for each side.

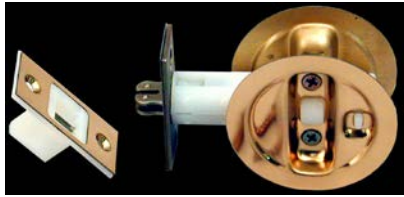


1521 (For 1 3/8" Doors Only)
1534 (For 1 3/4" Doors Only)

Pocket Door Privacy Locks



ORDERING DATA



1521/1534



For Converging Doors Use One Privacy Lock, One Dummy Pull, and Two Edge Pulls

Item No.	Description	Color	Door Thickness	LBS/Case	Pkg Price	Bulk Price
15213PK1	Privacy Lock	US3/Brt. Brass	1 3/8"	2.5/5	\$30.46	\$27.71
152115P1	Privacy Lock	US15/Sat. Nic.	1 3/8"	2.5/5	\$31.17	\$28.42
1521-BLK	Privacy Lock	Black	1 3/8"	12.5/25		\$26.18
21-3PPK2	Dummy Pull	US3/Brt. Brass	1 3/8"	2.6/10	\$10.20	\$9.44
21-15PK2	Dummy Pull	US15/Sat. Nic.	1 3/8"	2.6/10	\$10.41	\$9.44
121BLK	Dummy Pull	Black	1 3/8"	5/25		\$8.25
1534-3P1	Privacy Lock	US3/Brt. Brass	1 3/4"	1/1	\$38.72	\$32.96
153415P1	Privacy Lock	US15/Sat. Nic.	1 3/4"	1/1	\$38.17	\$33.73
1534-BLK	Privacy Lock	Black	1 3/4"	2.4/5		\$32.11
134US3	Dummy Pull	US3/Brt. Brass	1 3/4"	3/10		\$11.21
134US15	Dummy Pull	US15/Sat. Nic.	1 3/4"	3/10		\$11.21
134BLK	Dummy Pull	Black	1 3/4"	5/25		\$10.02
150-3PK1	Edge Pull	US3/Brt. Brass	Universal	2/10	\$7.21	\$4.59
150-15P1	Edge Pull	US15/Sat. Nic.	Universal	2/10	\$7.19	\$4.57

21-PPK/134 "Suncrest" Dummy Pull

US3-Bright Brass

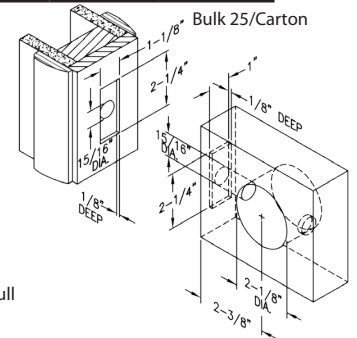
US15-Satin Nickel



150US15 Edge Pull
Satin Nickel



150US3 Edge Pull
Bright Brass



Bulk 25/Carton

2800F Double Fascia Open Pocket Door Hardware
for a 1 3/8" to 1 3/4" Thick Door to 75 lbs.



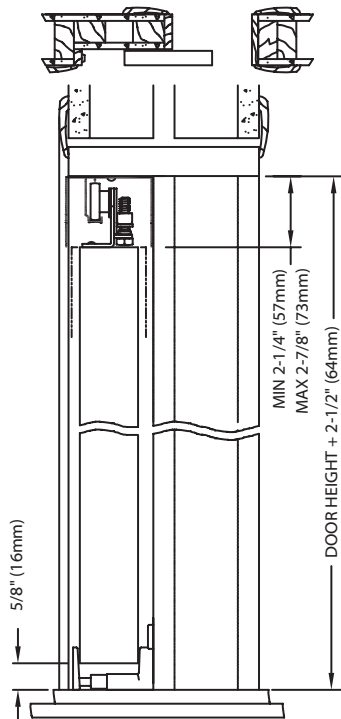
ORDERING DATA

Item No.	Max Door Size	Lbs./Case	Pkg. Price	Bulk Price
2800F481	One 2'0" Door	Bulk Only-20/Case		\$45.02
2800F601	One 2'6" Door	Bulk Only-20/Case		\$50.71
2800F721	One 3'0" Door	4/1	\$70.94	\$55.83
2800F961	One 4'0" Door	5/1	\$84.15	\$67.89

Bulk 20/Carton

2800F Components

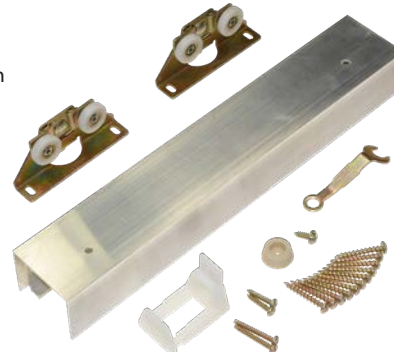
Qty	Part #
1	2800F Track
2	2815 Hangers
1	12 Guide
1	1513 Bumper
1	1712 Wrench



2800F

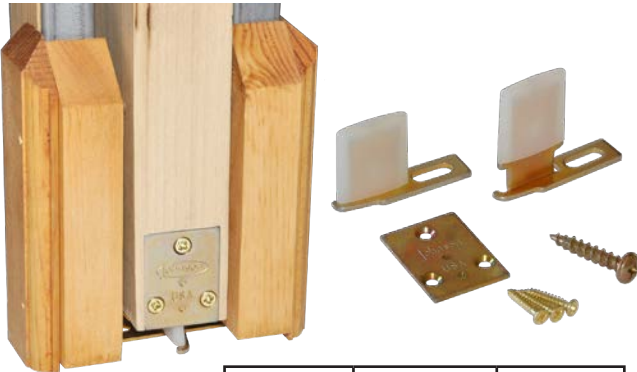
Space saving, header mounted "Open Pocket Door" hardware set. Aluminum double fascia track with a single convex rail, twin wheel (7/8" dia.) ball bearing hangers, wall mount guide. Brass-tone steel parts.

2800F Hardware Set



Pocket Door Essentials 2041PLBG Hidden Guide

1515 Plywood Reinforcement Clips



1515-PLY
Pocket Door Frame Plywood Clip Set

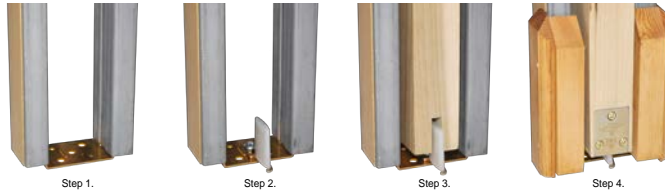


- Add Structure to **ANY** Johnson Pocket Door Frame
- Make Stronger Pocket Walls
- Supports Heavy Objects
 - Tile
 - Cabinets
 - Towel Racks

Item No.	Lbs./Case Qty	Pkg. List
2041PLBG	1.7/10	\$8.93
1515-PLY	18/6	\$28.03

The 2041 Hidden Pocket Door Guide Kit permits pocket door guiding without the use of standard 1550 visible pocket door guides. The heavy duty steel reinforced guide post is fastened to the center of the Split Stud Floor Plate just inside the pocket and rides inside a groove routed in the bottom edge of the door out of view for a clean look. 2 guide posts are included in the kit, one for sub floor and one for finished floor applications.

The 2041PLBG works with all Johnson Pocket Door Frames except 2710/2711.



The 1515 Clip Set is designed to add structure and increase strength of pocket door walls. 1515 clips attach 5/8" plywood panels to pocket frame structure increasing the rigidity of pocket walls when compared to a pocket wall without plywood reinforcement. Additionally, the plywood panels provide a solid surface for mounting towel racks, cabinetry etc. Plywood panels not included. Plywood panels installed flush with split studs. Drywall directly over plywood panels. The 1515-PLY now works with all Series of Johnson Hardware Pocket Door Frames

Panel Displays

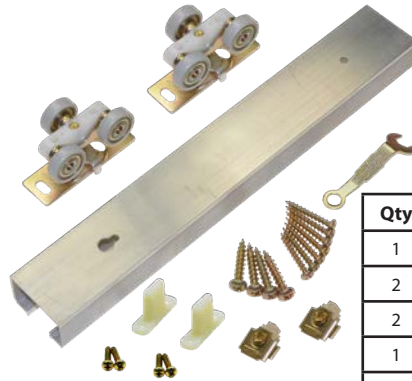
USING JOHNSON 100 SERIES TRACK AND HARDWARE



NO MORE WRESTLING WITH LOOSE PANELS OR DOORS!

Display your doors with easy-to-construct sliding "show walls". These displays take up less floor space than the old methods of stacking or leaning doors.

The **Door Panel Display** uses the same track and hanger system as the Johnson 1500 Pocket Door Frame and can handle 3'0" doors up to 200 lbs..

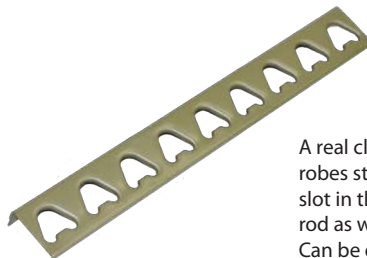
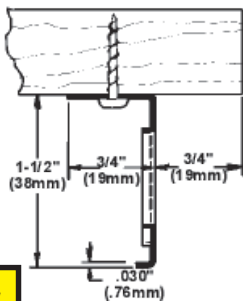


Qty	Part #
1	100-0072
2	1125 Hangers
2	10 Guide
1	1712 Wrench
2	1155 Stops

Item No.	Length	Pkg/Qty	Wt/Ctn	List Price
100721DD	72"	25/Ctn	75 lbs.	\$50.73



Valet Rod



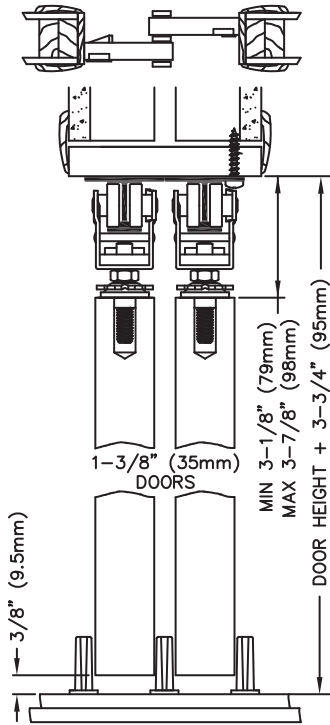
Item No.	Lbs./Case	Pkg. Price	Bulk Price
9500-096	32/20	Bulk Only	\$12.61

A real clothing organizer. Hangers are separated eliminating "hanger overlap". Wardrobes stay neat and orderly. Clothing stays fresh and unwrinkled. Deep drawn hanger slot in the gold enameled steel Valet/rod will not scratch hangers, provide strength to rod as well as the shelf above. Available bulk only in 96" (2438mm) lengths. Can be easily cut for smaller shelves. Use short lengths near washers for drip dry or wrinkle free.

200SD Heavy Duty Bypass Track and Hardware for 1 1/8" or Thicker Doors to 400 lbs.



ORDERING DATA



200SD

Item No.	Opening Size	Lbs./Case	Pkg. Price	Bulk Price
200482DR	48"-2 Door	Bulk Only-5/Case		\$207.82
200602DR	60"-2 Door	Bulk Only-5/Case		\$223.68
200722DR	72"-2 Door	14/1	\$245.80	\$238.44
200962DR	96"-2 Door	17/1	\$280.05	\$271.94

Bulk 5/Case

200SD 2 DR Components

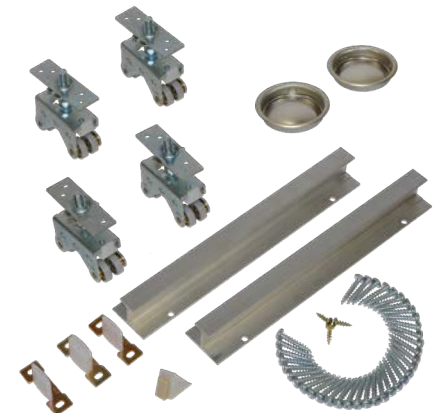
Qty	Part #
2	200 Track
4	2020 Hangers
3	2031 Guides
1	2155 Door Stop
2	30US15 Pull



1 3/8", 1 3/4", and 2 1/4" Side Mount Hardware Available for a \$10.37 adder for 2 door sets, \$13.44 for 3 door sets and \$20.74 for 4 door sets to Bulk Pricing



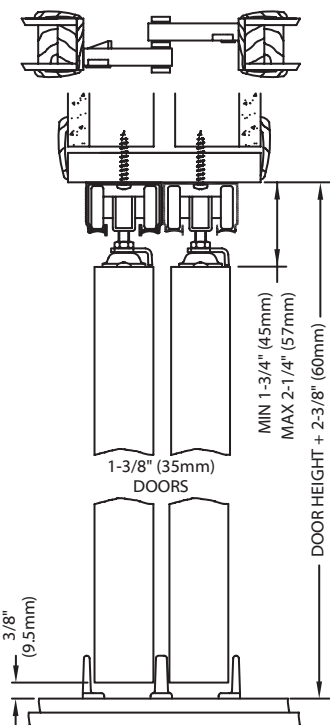
200SD 2 DR Hardware Set



100SD Heavy Duty Bypass Track and Hardware for 1" or Thicker Doors to 200 lbs.



ORDERING DATA



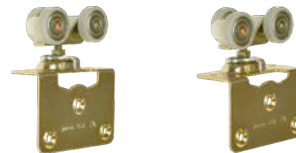
100SD

Item No.	Opening Size	Lbs./Case	Pkg. Price	Bulk Price
100482DR	48"-2 Door	4.5/1	\$96.62	\$88.06
100602DR	60"-2 Door	5.3/1	\$106.26	\$95.22
100722DR	72"-2 Door	6/1	\$114.89	\$102.60
100962DR	96"-2 Door	7.7/1	\$134.33	\$121.24

Bulk 25/Case

100SD 2 Door Components

Qty	Part #
2	100 Track
4	1125 Hangers
1	101 Guide Set
1	2155 Door Stop
2	30US15 Pull
1	1712 Wrench



1 3/8" and 1 3/4" Side Mount Hardware Available for a \$7.38 adder for 2 door sets, \$11.42 for 3 door sets and \$14.90 for 4 door sets to Bulk Pricing



A commercial grade bypass sliding door hardware set for doors weighing up to 200 pounds each. Heavy-duty extruded aluminum box track utilizes three-wheeled ball-bearing rollers (#1125) with 1" diameter machine turned wheels. The three piece guide is adjustable for different thicknesses of doors. (minimum door thickness is 1")



◀◀ **SOFT-Close/Open** ▶▶

Compatible

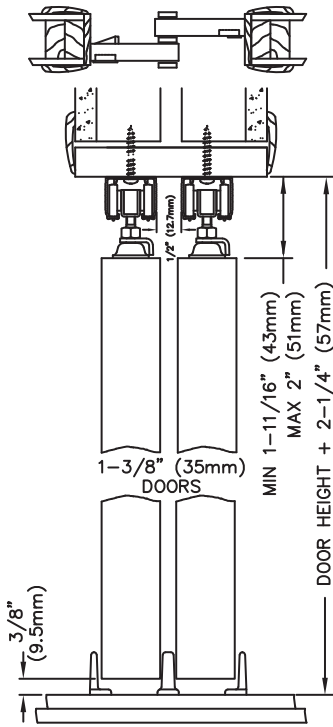
100SD Hardware Set

Add 25% for less than full carton quantities.

111SD Heavy Duty Bypass Track and Hardware for 3/4" or Thicker Doors to 150 lbs.



ORDERING DATA



111SD

Item No.	Opening Size	Lbs./Case	Pkg. Price	Bulk Price
111482DR	48"-2 Door	4.7/1	\$85.01	\$72.24
111602DR	60"-2 Door	5.2/1	\$91.56	\$78.18
111722DR	72"-2 Door	5.7/1	\$97.81	\$83.42
111962DR	96"-2 Door	6.9/1	\$110.11	\$95.30

Bulk 25/Carton

111SD 2 Door Components

Qty	Part #
2	111 Track
4	1025 Hangers
1	101 Guide Set
1	2155 Door Stop
2	30US15 Pull
1	1712 Wrench

A commercial grade bypass sliding door hardware set for doors weighing up to 150 pounds each. Heavy-duty extruded aluminum box track utilizes three-wheeled ball-bearing rollers (#1025) with 3/4" diameter machine turned wheels. The three piece guide is adjustable for different thicknesses of doors. (minimum door thickness is 3/4")



3/4", 1 1/8" and 1 3/8" Side Mount Hardware Available for a \$4.87 adder for 2 door sets to Bulk Pricing



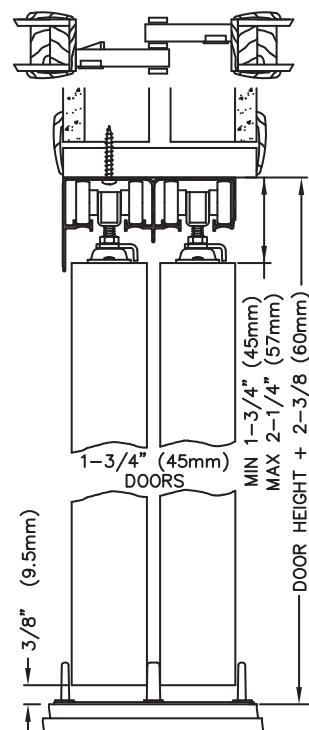
111SD Hardware Set



134F Heavy Duty Bypass Track and Hardware for 1 3/4" Doors to 125 lbs. (200 lbs. with 1125 Ball Bearing Hanger)



ORDERING DATA



134F

Item No.	Opening Size	Lbs./Case	Pkg. Price	Bulk Price
134F482D	48"-2 Door	24/5	\$83.10	\$71.89
134F602D	60"-2 Door	29/5	\$93.10	\$81.38
134F722D	72"-2 Door	33/5	\$103.19	\$90.86
134F964D	96"-4 Door	30/3	\$164.10	\$144.51

134F 2 Door Components

Qty	Part #
1	134F Track
4	1120 Hangers
1	2134 Guide Set
1	2155 Door Stop
2	30US15 Pull
1	1712 Wrench

134F 4 Door Components

Qty	Part #
1	134F Track
8	1120 Hangers
2	2134 Guide Set
2	2155 Door Stop
4	30US15 Pull
1	1712 Wrench
2	1155 Stop

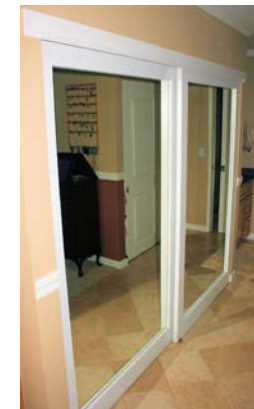
Bulk 10/Carton

Commercial grade track (for 1 3/4" thick doors) with an aluminum fascia which hides hangers from view. Three wheel (1" dia.) hangers ride on convex rails for a smooth, quiet operation. Door guide is woodtone with pivot action that align guide posts with door. Brass-tone, steel parts.

*Optional hanger #1125 available for doors to 200 lbs./each.-Add \$23.23 for 2 Door Set / Add \$46.26 for 4 Door Set (Bulk Only).



1 3/4" Side Mount Hardware Available for a \$30.68 adder for 2 door sets and 61.46 for 4 door sets to Bulk Pricing (200 lbs. Rating)



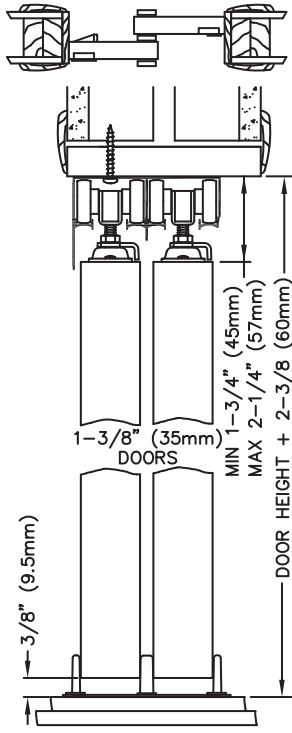
134F Hardware Set



138F Heavy Duty Bypass Track and Hardware for 1 3/8" Doors to 125 lbs. (200 lbs. with 1125 Ball Bearing Hanger)



ORDERING DATA



138F

SOFT-Close/Open

Compatible

Item No.	Opening Size	Lbs./Case	Pkg. Price	Bulk Price	Bronze Price
138F482D	48"-2 Door	22/5	\$78.24	\$67.13	\$139.91
138F602D	60"-2 Door	26/5	\$87.16	\$75.58	\$157.10
138F722D	72"-2 Door	30/5	\$96.25	\$84.01	\$169.79
138F964D	96"-4 Door	26/3	\$154.30	\$134.86	\$270.43

138F 2 Door Components

Qty	Part #
1	138F Track
4	1120 Hangers
1	2135 Guide Set
1	2155 Door Stop
2	30US15 Pull
1	1712 Wrench

138F 4 Door Components

Qty	Part #
1	138F Track
8	1120 Hangers
2	2135 Guide Set
2	2155 Door Stop
4	30US15 Pull
1	1712 Wrench
2	1155 Stop

Commercial grade track (for 1 3/8" thick doors) with an aluminum fascia which hides hangers from view. Three wheel (1" dia.) hangers ride on convex rails for a smooth, quiet operation. Door guide is woodtone with pivot action that align guide posts with door. Brass-tone, steel parts.

Optional hanger #1125 available for doors to 200 lbs./each.-Add \$23.92 for 2 Door Set / Add \$47.64 for 4 Door Set (Bulk Only).



Bronze anodized track is available. 200 lbs. rating. Includes 1125 Hangers

Bulk 10/ Carton Bronze 1/ Carton

1 3/8" Side Mount Hardware Available for a \$31.36 adder for 2 door sets and \$62.83 for 4 door sets to Bulk Pricing(200 lbs. Rating)



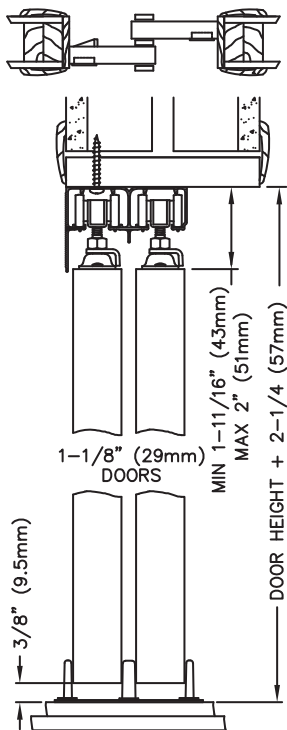
138F Hardware Set



118F Heavy Duty Bypass Track and Hardware for 1 1/8" Doors to 80 lbs. (150 lbs. with 1025 Ball Bearing Hanger)



ORDERING DATA



118F

Item No.	Opening Size	Lbs./Case	Pkg. Price	Bulk Price
118F482D	48"-2 Door	4/1	\$70.16	\$58.56
118F602D	60"-2 Door	5/1	\$76.26	\$64.49
118F722D	72"-2 Door	6/1	\$84.45	\$72.88
118F964D	96"-4 Door	7/1	\$131.71	\$115.62

118F 2 Door Components

Qty	Part #
1	118F Track
4	1020 Hangers
1	2118 Guide Set
1	2155 Door Stop
2	30US15 Pull
1	1712 Wrench

118F 4 Door Components

Qty	Part #
1	118F Track
8	1020 Hangers
2	2118 Guide Set
2	2155 Door Stop
4	30US15 Pull
1	1712 Wrench
2	1155 Stop

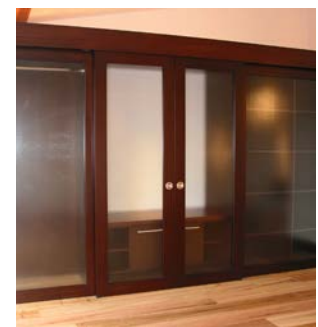
Commercial grade track (for 1 1/8" thick doors) with an aluminum fascia which hides hangers from view. Three wheel (3/4" dia.) hangers ride on convex rails for a smooth, quiet operation. Door guide is woodtone with pivot action that align guide posts with door. Brass-tone, steel parts.

*Optional hanger #1025 available for doors to 150 lbs./each.-Add \$16.43 for 2 Door Set / Add \$32.81 for 4 Door Set (Bulk Only).



1 1/8" Side Mount Hardware Available for a \$22.20 adder for 2 door sets and \$44.40 adder for 4 door sets to Bulk Pricing

Bulk 10/ Carton



118F Hardware Set

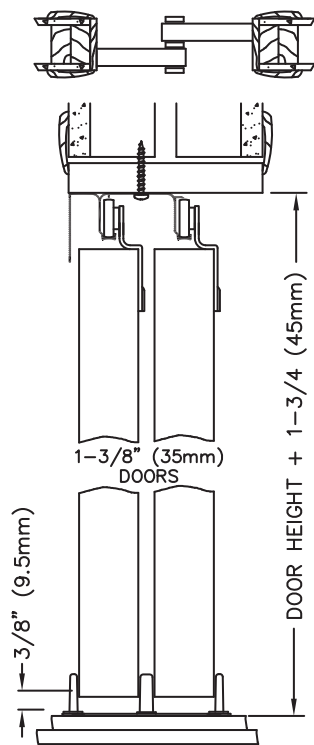


Add 25% for less than full carton quantities.

2200F Residential Grade Bypass Fascia Track and Hardware for 1 3/8" Doors to 50 lbs. (One Wheel) or 75 lbs. (Two Wheel)



ORDERING DATA



2200F

Item No.	Opening Size	Lbs./Case	Pkg. Price	Bulk Price
2200F481	48"-2 Door	13/5	\$31.39	\$26.73
2200F601	60"-2 Door	15/5	\$36.84	\$31.02
2200F721	72"-2 Door	16/5	\$42.29	\$35.42
2200F961	96"-4 Door	26/5	\$69.76	\$59.81
*2200F482	48"-2 Door	14/5	\$36.20	\$31.38
*2200F602	60"-2 Door	16/5	\$41.64	\$35.67
*2200F722	72"-2 Door	18/5	\$47.09	\$40.07
*2200F962	96"-4 Door	27/5	\$79.36	\$70.03

2200F 2 Door Components

Qty	Part #
1	2200F Track
4	2238 Hangers (2228 2 Whl)
1	2135 Guide Set
2	15US15 Pull

2200F 4 Door Components

Qty	Part #
1	2200F Track
8	2238 Hangers (2228 2 Whl)
2	2135 Guide Set
1	2255 Stop Kit
4	15US15 Pull

Bulk 25/Carton



2200F Hardware Set



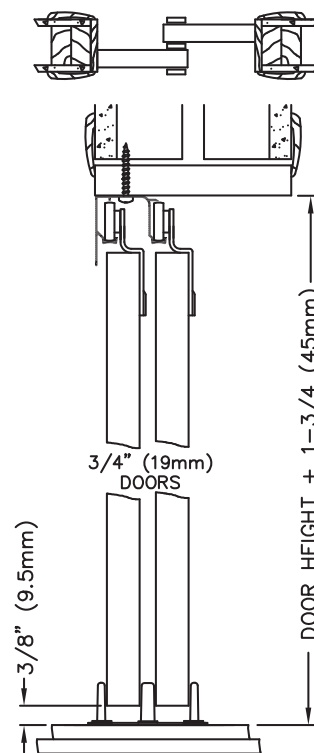
An aluminum fascia track with "Hi-Lite" design to hide blemishes that may occur. Convex track rails that provide one point contact between wheel and track. Hangers include one or two wheels (7/8" dia.) with three point locking. Hangers adjust without removing or relocating screws. Woodtone guide adjusts laterally for quick plumbing. Nylon guide posts are 1" high, guide posts swivel to allow warped doors to operate without binding. Brass-tone steel parts.

* 2 Wheel Hangers for 75 lbs. per door.

2204F Residential Grade Bypass Fascia Track and Hardware for 3/4" Doors to 50 lbs.



ORDERING DATA



2204F

Item No.	Opening Size	Lbs./Case	Pkg. Price	Bulk Price
2204F481	48"-2 Door	Bulk Only/		\$28.38
2204F601	60"-2 Door	20/Carton		\$32.15
2204F721	72"-2 Door	15/5	\$49.96	\$36.07
2204F961	96"-4 Door	22/5	\$81.48	\$61.13

Bulk 20/Carton

2204F 2 Door Components

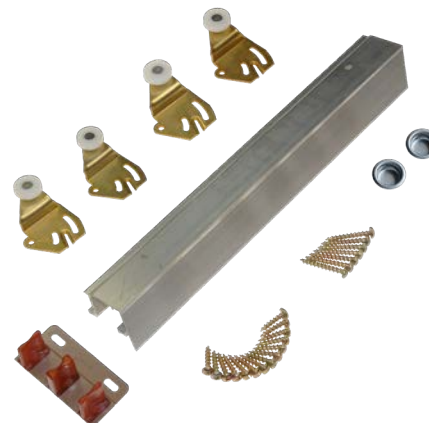
Qty	Part #
1	2204F Track
4	2238 Hangers (2228 2 Whl)
1	2175 Guide
2	15US15 Pull

2204F 4 Door Components

Qty	Part #
1	2204F Track
8	2238 Hangers (2228 2 Whl)
2	2175 Guide Set
1	2255 Stop Kit
4	15US15 Pull



2204F Hardware Set

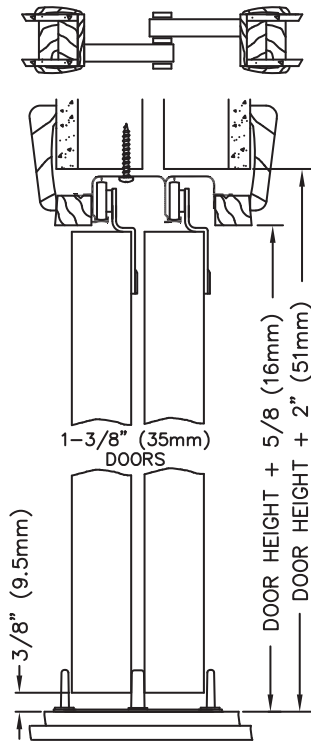


A premium, residential bypass set for 3/4" thick doors. Uses an aluminum fascia track with "Hi-Lite" design to hide blemishes that may occur. Convex track rails that provide one point contact between wheel and track. Hangers include one or two wheels (7/8" dia.) with three point locking. Hangers adjust without removing or relocating screws. Woodtone guide adjusts laterally for quick plumbing. Nylon guide posts are 1" high, guide posts swivel to allow warped doors to operate without binding. Brass-tone steel parts.

2222 Residential Grade Bypass Track and Hardware with Wood Header for 1 3/8" Doors to 50 lbs. (One Wheel) or 75 lbs. (Two Wheels)



ORDERING DATA



2222

Item No.	Opening Size	Lbs./Case	Pkg. Price	Bulk Price
22224814	48"-2 Door	Bulk Only		\$42.76
22226014	60"-2 Door	10/Case		\$50.58
22227214	72"-2 Door	Bulk Only		\$58.57
22229614	96"-4 Door	10/Case		\$90.35
*22224824	48"-2 Door	Bulk Only		\$47.47
*22226024	60"-2 Door	10/Case		\$55.29
*22227224	72"-2 Door	Bulk Only		\$63.28
*22229624	96"-4 Door	10/Case		\$100.57

2222 2 Door Components

Qty	Part #
1	2222 Track
4	2238 Hangers (2228 2 Whl)
1	2135 Guide Set
2	15US15 Pull

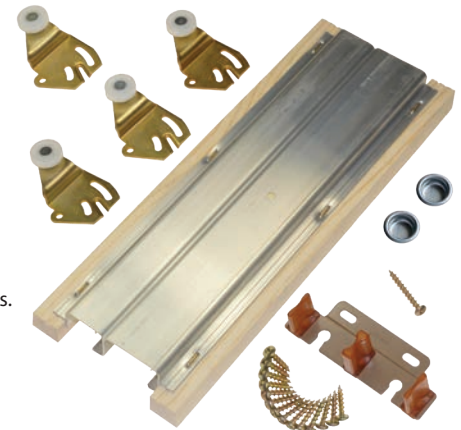
2222 4 Door Components

Qty	Part #
1	2222 Track
8	2238 Hangers (2228 2 Whl)
2	2135 Guide Set
1	2255 Stop Kit
4	15US15 Pull

Bulk 10/Case



2222 Hardware Set



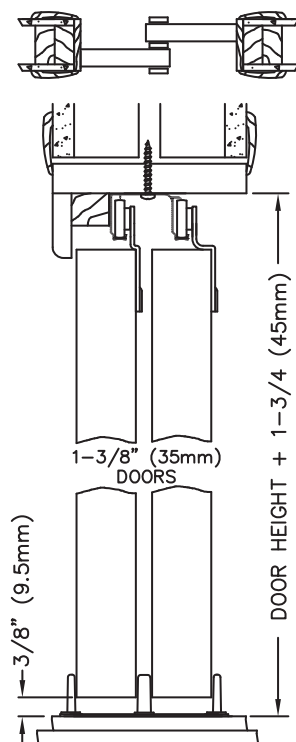
Prefabricated header with aluminum track replaces the regular head jamb. Keeps the bypass doors the same trim height as swinging doors. Eliminates odd door heights. Convex track rails, 7/8" dia. wheels, adjustable hangers, adjustable guide. Brass-tone steel parts. Also available for 5/4" jamb and without wood. Contact factory.

* 2 Wheel Hangers for 75 lbs. per door.

2200 Bypass Track and Hardware for 3/4" or 1 3/8" Doors to 50 lbs.



ORDERING DATA



2200

Item No.	Opening Size	Lbs./Case	Pkg. Price	Bulk Price
2200482D	48"-2 Door	10/5	\$25.00	\$20.08
2200602D	60"-2 Door	12/5	\$28.41	\$22.94
2200722D	72"-2 Door	13/5	\$32.00	\$25.80
2200964D	96"-4 Door	19/5	\$56.49	\$46.75

Bulk 25/Case

2200 2 Door Components

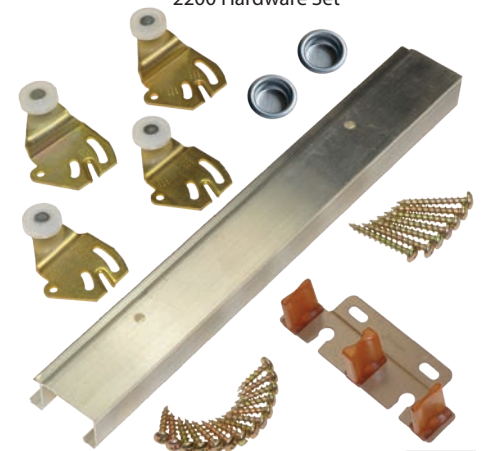
Qty	Part #
1	2200 Track
2	2216 Hangers
2	2238 Hangers
1	2135 Guide
2	15US15 Pulls

2200 4 Door Components

Qty	Part #
1	2200 Track
4	2216 Hangers
4	2238 Hangers
2	2135 Guides
4	15US15 Pulls
1	2255 Stop Kit



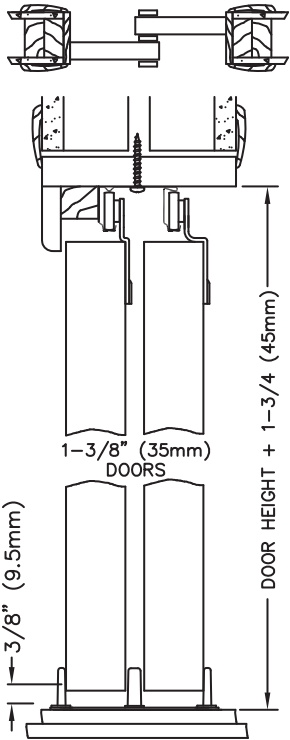
2200 Hardware Set



Aluminum bypass track with convex track rails for quiet, smooth operation. One wheel (7/8" dia.) hangers with three point locking provide one point contact between wheel and track. One inch high woodtone adjustable door guide. Brass-tone steel parts.

Add 25% for less than full carton quantities.

ORDERING DATA



1166

Item No.	Opening Size	Lbs./Case	Pkg. Price	Bulk Price
1166G482	48"-2 Door	13/5	\$23.18	\$19.41
1166G602	60"-2 Door	16/5	\$26.96	\$22.10
1166G722	72"-2 Door	18/5	\$30.69	\$24.81
1166G964	96"-4 Door	26/5	\$57.05	\$45.48

Bulk 25/Carton

1166 2 Door Components

Qty	Part #
1	1166 Track
2	2216 Hangers
2	2238 Hangers
1	2135 Guide
2	15US15 Pulls

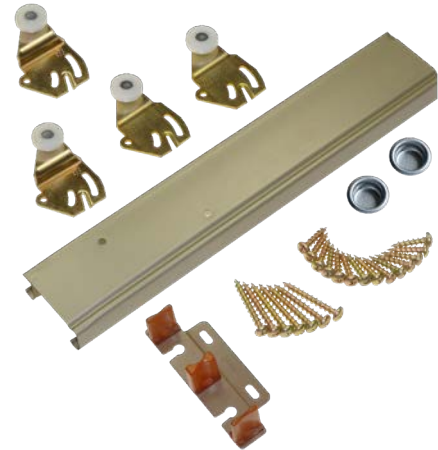
1166 4 Door Components

Qty	Part #
1	1166 Track
4	2216 Hangers
4	2238 Hangers
2	2135 Guides
4	15US15 Pulls
1	2255 Stop Kit

An economical prefinished gold colored steel bypass track with convex track rails, which provide one point contact between wheel and track. One wheel (7/8" dia.) hangers with three point locking. One inch high woodtone adjustable door guide. Brass-tone steel parts.



1166 Hardware Set



Multiple-Door Sliding Door Hardware

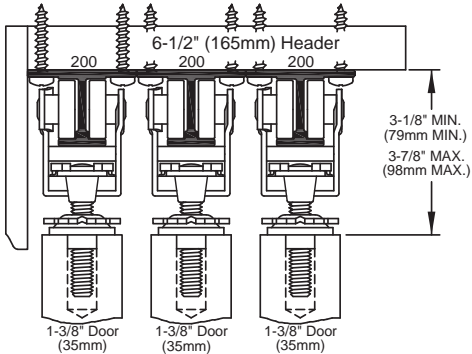
200MD, 100MD, 111MD



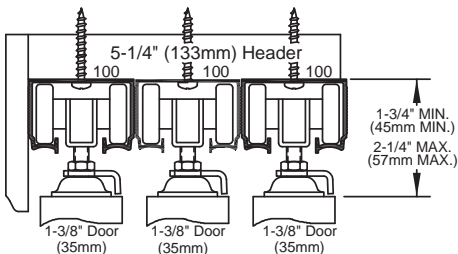
Shown below are typical 3 track layouts for 1-3/8" doors. Other door thicknesses may be used. For thicker doors, the tracks must be spaced further apart and a wider header may be necessary. Also, more than 3 tracks may be used by extending the header and using other track combinations as required.



200MD Series-400 lbs. Doors

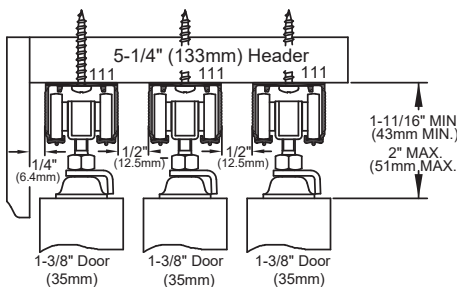


100MD Series-200 lbs. Doors

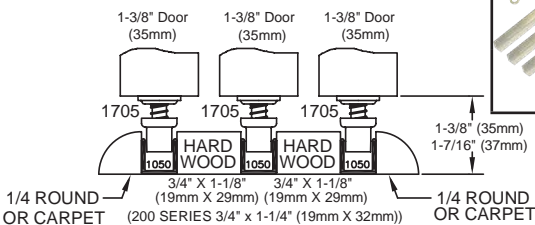


Compatible

111MD Series-150 lbs. Doors



1050 Bottom Track- Included w/ all Sets



All nosing and hardware filler supplied by others. Surface mount shown/ Bottom channel may be recessed into floor. Spacing and dimensions will vary with other door thicknesses.

Tracks can be cut down for smaller openings.

6', 8', and 9' Sets Utilizing 200, 100, and 111 Hardware Sets.

200MD Series Hardware Sets- 400lbs Doors (min 1-1/8" thick)					
Set Image	Part #	Track Length	Max Door Width (ea)	Max Door Weight (ea)	Set Price
	200M0723	70" 1829mm	24" x 3 610mm x 3	400 lbs. 182 kgs.	\$434.91
	200M0963	94" 2438mm	32" x 3 813mm x 3	400 lbs. 182 kgs.	\$501.03
	200M1083	106" 2692mm	36" x 3 914mm x 3	400 lbs. 182 kgs.	\$577.07
	200M1443	142" 3657mm	48" x 3 1219mm x 3	400 lbs. 182 kgs.	\$639.60
Set consists of 3-200 tracks, 3-1050 bottom tracks, 6-2020 hangers, 6-1705 guides, and 2-2055 track stops.					

100MD Series Hardware Sets- 200lbs Doors (min 1" thick)					
Set Image	Part #	Track Length	Max Door Width (ea)	Max Door Weight (ea)	Set Price
	100M0723	70" 1829mm	24" x 3 610mm x 3	200 lbs. 91 kg.	\$205.76
	100M0963	94" 2438mm	32" x 3 813mm x 3	200 lbs. 91 kg.	\$242.26
	100M1083	106" 2692mm	36" x 3 914mm x 3	200 lbs. 91 kg.	\$286.04
	100M1443	142" 3657mm	48" x 3 1219mm x 3	200 lbs. 91 kg.	\$320.10
Set consists of 3-100 tracks, 3-1050 bottom tracks, 6-1125 hangers, 6-1705 guides, and 2-1155 track stops.					

111MD Series Hardware Sets- 150lbs Doors (min 3/4" thick)					
Set Image	Part #	Track Length	Max Door Width (ea)	Max Door Weight (ea)	Set Price
	111M0723	70" 1829mm	24" x 3 610mm x 3	150 lbs. 68 kgs.	\$174.56
	111M0963	94" 2438mm	32" x 3 813mm x 3	150 lbs. 68 kgs.	\$204.94
	111M1083	106" 2692mm	36" x 3 914mm x 3	150 lbs. 68 kgs.	\$241.62
	111M1443	142" 3657mm	48" x 3 1219mm x 3	150 lbs. 68 kgs.	\$270.47
Set consists of 3-111 tracks, 3-1050 bottom tracks, 6-1025 hangers, 6-1705 guides, and 2-1155 track stops.					

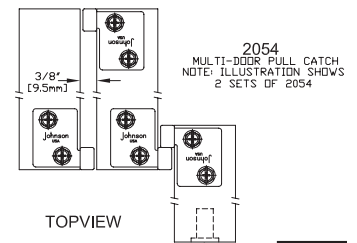


2054 PLBG
MULTI PULL CATCH

2054PLBG

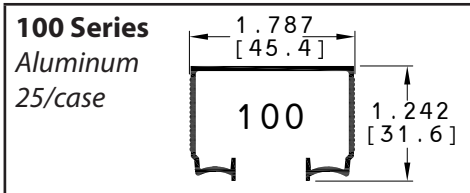
Multi Pull Catch

\$10.23

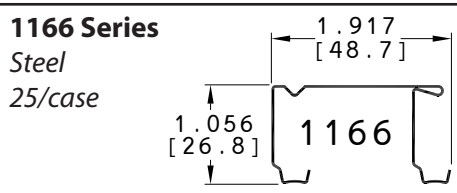


TOPVIEW

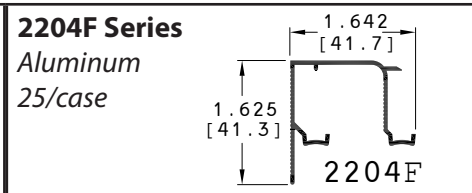
USE 150 EDGE PULL ON LEAD DOOR



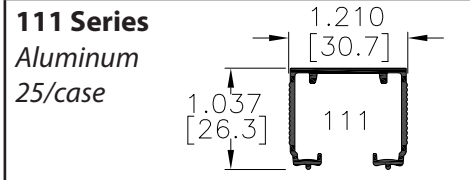
36"	48"	60"	72"	96"	106"	120"	144"	192"
12.04	15.70	19.28	22.97	32.29	43.50	45.38	55.54	76.12



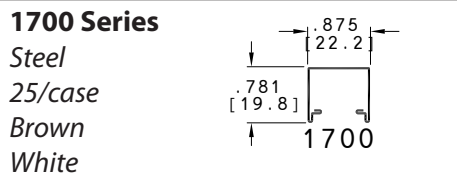
47"	59"	71"	94"	106"	120"	144"	192"
11.59	14.28	16.99	22.72	30.79	30.79	36.4	49.20



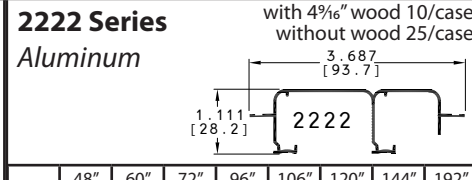
48"	60"	72"	96"	106"	120"	144"	192"
17.59	21.36	25.28	33.06	43.49	43.49	51.23	69.66



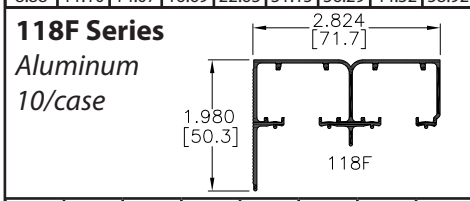
36"	48"	60"	72"	96"	106"	120"	144"	192"
8.88	11.10	14.07	16.69	22.63	31.15	36.29	44.32	58.92



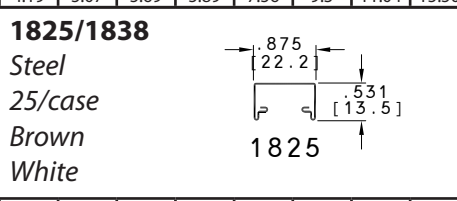
24"	30"	32"	36"	48"	60"	72"	96"
4.19	5.07	5.69	5.89	7.56	9.3	11.04	15.50



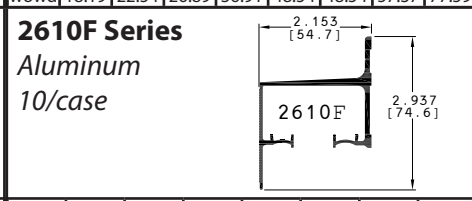
48"	60"	72"	96"	106"	120"	144"	192"
w/wd	34.94	42.76	50.75	68.06			
wowd	18.19	22.54	26.89	36.91	48.54	48.54	77.59



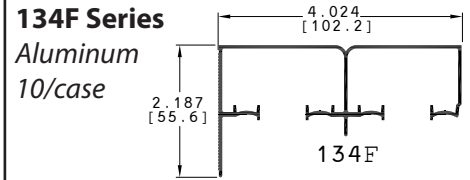
48"	60"	72"	96"	106"	120"	144"	192"
28.10	34.03	42.42	53.96	70.32	70.32	83.45	113.82



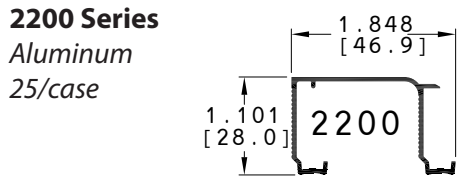
24"	30"	32"	36"	48"	60"	72"	96"
3.39	4.11	4.52	4.73	5.98	7.30	8.64	12.26



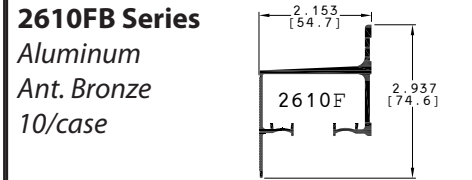
48"	60"	72"	96"	106"	120"	144"	192"
39.66	49.98	58.81	77.19	101.62	101.75	119.98	165.06



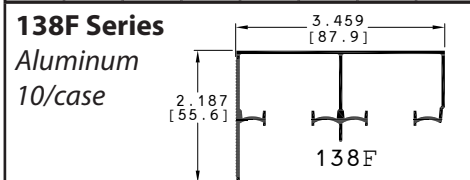
48"	60"	72"	96"	106"	120"	144"	192"
40.11	49.60	59.08	80.22	102.46	102.46	121.84	164.66



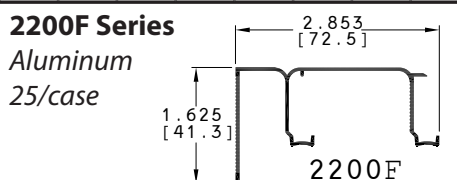
47"	59"	71"	94"	106"	120"	144"	192"
12.26	15.12	17.98	23.99	32.65	32.65	38.40	51.75



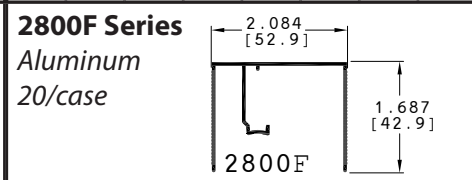
48"	60"	72"	96"	106"	120"	144"	192"
70.06	89.65	99.03	139.19	184.21	184.21	213.57	294.18



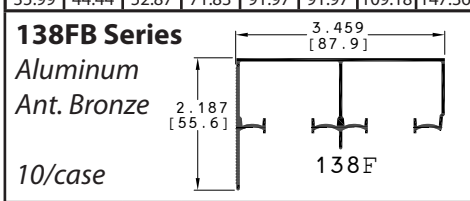
48"	60"	72"	96"	106"	120"	144"	192"
35.99	44.44	52.87	71.83	91.97	91.97	109.18	147.36



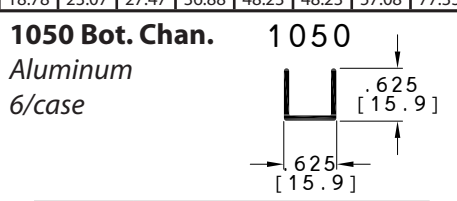
48"	60"	72"	96"	106"	120"	144"	192"
18.78	23.07	27.47	36.88	48.23	48.23	57.08	77.33



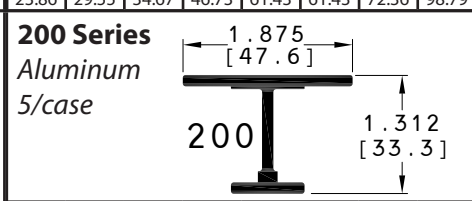
48"	60"	72"	96"	106"	120"	144"	192"
23.86	29.55	34.67	46.73	61.43	61.43	72.36	98.79



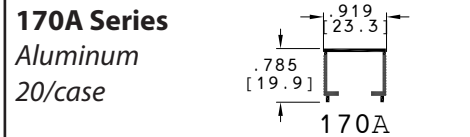
48"	60"	72"	96"	106"	120"	144"	192"
61.02	76.73	88.23	121.18	160.77	162.12	189.28	258.85



72"	96"	106"	144"
11.25	14.19	17.03	20.88



48"	60"	72"	96"	106"	120"	144"	192"
37.78	45.71	53.09	69.84	88.87	88.88	104.80	138.68

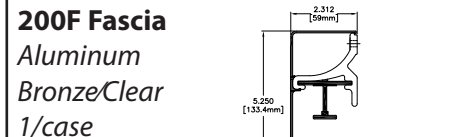


24"	30"	32"	36"	48"	60"
4.69	5.74	6.04	6.67	8.63	10.67
72"	96"	106"	120"	144"	192"
12.69	16.93	22.11	22.11	26.19	35.77

Note: Cutting charge of \$2.00 for less than 100 pieces of non-standard sizes.

Drawings not to scale

List Prices Based on Full Carton Quantity



48"	60"	72"	96"	106"	120"	144"	192"
93.37	107.18	121.38	155.85	198.63	198.63	228.00	298.80












G1738 COMBINATION SLIDING-FOLDING DOOR ASSORTMENT 5-1700363H, 10-1700486H, 5-1700606H, 5-1700726H, 10-1138482D, 5-1138602D, 5-1138722D	G1738	\$1643.60
G2200F SLIDING DOOR ASSORTMENT 20-2200F481, 10-2200F601, 10-2200F721	G2200F	\$1419.10
G40 4' MODULAR COMB. SLIDING-FOLDING-POCKET-REPLACEMENT ASSORTMENT (CONSISTS OF THE FOLLOWING G41 AND G42 2' MODULAR SETS)	G40	\$3337.98
G41 2' COMBINATION SLIDING-FOLDING-POCKET ASSORTMENT 5-1166G482, 5-1166G602, 5-1166G722, 5-100721DR, 2-153068PF 5-1700363H, 5-1700486H, 5-1700606H, 5-1700726H	G41	\$1832.13
G41MINI	G41MINI	\$928.56
G42 2' ACCESSORY ASSORTMENT 5-1601218P, 5-2216PPK2, 5-2238PPK2, 5-2136PPK1, 5-1836PPK1, 10-2376PPK2, 10-2378PPK2, 10-2336PPK2, 10-2338PPK2, 10-2135PPK1, 10-1832PPK3, 10-1817PPK3, 10-1808PPK1, 5-1555PPK3, 5-152115P1, 10-150-15P1, 5-1500PPK3, 5-1700PPK3, 10-1703PPK2, 10-1805PPK2, 10-15-15PK3, 10-33--PPK2, 10-2155PPK1, 5-1575PPK3, 10-2312PPK1, 10-1833PPK3	G42	\$1505.85
G42MINI	G42MINI	\$443.22
G44 (SAME AS G40 EXCEPT W/2200 ALUMINUM TRACK)	G44	\$3360.88
G44MINI	G44MINI	\$1380.94
G45 (SAME AS G41 EXCEPT W/2200 ALUMINUM TRACK)	G45	\$1855.03
G45MINI	G45MINI	\$937.72
G60 6' MODULAR COMB. SLIDING-FOLDING-POCKET-REPLACEMENT ASSORTMENT (CONSISTS OF THE FOLLOWING G61, G62, AND G63 2' MODULAR SETS)	G60	\$5244.29
G60MINI	G60MINI	\$2476.62
G61 2' COMBINATION SLIDING-FOLDING ASSORTMENT 10-1166G482, 5-1166G602, 5-1166G722, 5-100721DR, 5-1700363H, 5-1700486H, 5-1700606H, 5-1700726H, 4-2610F721	G61	\$1961.97
G61MINI	G61MINI	\$818.80
G62 2' ACCESSORY ASSORTMENT 5-1601218P, 5-2216PPK2, 5-2238PPK2, 5-2136PPK1, 5-1836PPK1, 10-2376PPK2, 10-2378PPK2, 10-2336PPK2, 10-2338PPK2, 10-2135PPK1, 10-1832PPK3, 10-1817PPK3, 10-1808PPK1, 5-1700PPK3, 10-1703PPK2, 10-1805PPK2, 10-15-15PK3, 10-33--PPK2, 10-2155PPK1, 10-2312PPK1, 10-1833PPK3 10-35-15PK2, 10-30-15PK2, 10-40-15PK2, 36--PPK2, 10-1823PPK2, 10-21-15PK2	G62	\$1431.25
G62MINI	G62MINI	\$372.58
G63 2' POCKET DOOR FRAME AND ACCESSORY ASSORTMENT 2-153068SC, 2-153068PF 3-15113068, 5-1060SOFT, 10-1555PPK3, 5-152115P1, 10-150-15P1, 5-1500PPK3,	G63	\$1851.07
G63MINI	G63MINI	\$1285.20
G64 (SAME AS G60 EXCEPT W/2200 ALUMINUM TRACK)	G64	\$5276.49
G65 (SAME AS G61 EXCEPT W/2200 ALUMINUM TRACK)	G65	\$1993.97
MINI1601 FULL ACCESS FOLDING DOOR HARDWARE 10-1601218P SETS AND WORKING DISPLAY MODEL	MINI1601	\$438.30
W10 COMBINATION UNIVERSAL SLIDING/FOLDING REPL PARTS 5-2216PPK2, 5-2238PPK2, 5-2136PPK1, 5-1836PPK1, 10-2376PPK2, 10-2378PPK2, 10-2336PPK2, 10-2338PPK2, 10-2135PPK1, 10-1832PPK3 10-1817PPK3, 10-1808PPK1, 10-2312PPK1, 10-1833PPK3	W10	\$584.90
W10MINI	W10MINI	\$135.14
W11 UNIVERSAL SLIDING DOOR REPLACEMENT PARTS 5-2216PPK2, 5-2238PPK2, 5-2136PPK1, 5-2156PPK3, 5-2155PPK1, 5-2312PPK1 5-15-15PK3, 10-2376PPK1, 10-2378PPK1, 10-2336PPK1, 10-2338PPK1 10-2135PPK1	W11	\$445.65
W12 UNIVERSAL FOLDING DOOR REPLACEMENT PARTS 5-33--PPK2, 5-1836PPK1, 10-1832PPK3, 10-1817PPK3, 10-1808PPK1, 10-1823PPK2, 10-1703PPK2, 10-1805PPK2, 10-1833PPK3	W12	\$351.55

Mini Assortments include two of each item

Add 25% for less than full carton quantities.

BUBBLE PACKED PARTS AND ACCESSORIES



KNOBSPULLS	PART #	Lbs./CT	LIST	KNOBSPULLS	PART #	LBS/CT	LIST
15 3/4" Round Brass Plated Steel Pull 4 per Pack 	15-3PPK3 15-15PK3	.6/10	4 per Pack \$3.75	35 1 3/8" x 3" Plated Steel Pull US3/US5/US15 Bright Brass/Ant. Brass/Sat. Nickel 	35-3PPK2 35-5PPK2 35-15PK2	1.4/10	2 per Pack \$6.25
21 2 1/2" Plated Steel US3/US5/US15 Dummy Pull Bright Brass/Ant. Brass/Sat. Nickel 	21-3PPK2 21-5PPK2 21-15PK2	2/10	2 per Pack \$10.20	36 1 3/4" Dia. Wood(Birch) Knob 	36--PPK2	1.3/10	2 per Pack \$4.16
30 2 1/8" Plated Steel US3/US5/US15 Pull Bright Brass/Ant. Brass/Sat. Nickel 	30-3PPK2 30-5PPK2 30-15PK2	1.7/10	2 per Pack \$6.55	38 1 1/2" Dia. Bright Brass Knob 	38-3PPK1	1.5/10	1 per Pack \$3.64
33 1 3/4" Dia. Woodtone Styrene Knob 	33--PPK2	1.1/10	2 per Pack \$2.58	40 1 3/8" x 3" Plated Steel Pull US3/US15 Bright Brass/Ant. Brass/Sat. Nickel 	40-3PPK2 40-15PK2	1.4/10	2 per Pack \$6.26
				150 Die Cast Bright Brass Finish Edge Pull US3 and US15 	150-3PK1 150-15P1	1.3/10	1 per Pack \$7.21

BUBBLE PACKED PARTS AND ACCESSORIES




107PIV-S  Pivot Set 5.5/10 \$7.23 1 Set/Pk.	1575PPK3  1 3/4" Adpt. Kit 3/10 \$7.81 1 Set/Pk.	1825PLBG  Bifold Hdwe 3.6/10 \$9.01 1 Set/Pk.	2216PPK2  Hanger 1/16" Offset 2.5/10 \$5.42 2 Ea./Pk.
109PIV-S  Pivot Set 9.1/10 \$15.19 1 Set/Pk.	1576PLBG  6" Wall Adpt. Kit 5/10 \$8.77 1 Set/Pk.	1832PPK3  Univ Pivot 1.3/10 \$4.18 1 Set/Pk.	2226PPK2  Hanger 1/16" Offset 3.5/10 \$7.39 2 Ea./Pk.
118PIV-S  Pivot Set 2.2/10 \$5.53 1 Set/Pk.	1606PLB2  Hinge Brown 3.8/10 \$8.69 2 Ea./Pk.	1833PPK3  Univ Snubber .8/10 \$2.46 1 Set/Pk.	2228PPK2  Hanger 3/8" Offset 3.7/10 \$7.42 2 Ea./Pk.
119PIV-S  Pivot Set 4/10 \$11.90 1 Set/Pk.	1700PPK3  Bifold Hdwe 4.8/10 \$13.93 1 Set/Pk.	1836PPK1  Carpet Riser (FD) 1.4/10 \$3.77 1 Ea./Pk.	2238PPK2  Hanger 3/8" Offset 2.6/10 \$5.51 2 Ea./Pk.
209PIV-S  Pivot Set 1.6/1 \$35.67 1 Set/Pk.	1703PPK2  Hinge 3.2/10 \$5.94 2 Ea./Pk.	1875PLBG  Pivots 1.4/10 \$6.06 1 Set/Pk.	2255PLBG  4 Dr. Stop Kit 2/10 \$8.17 1 Set/Pk.
1120PPK1  Hanger 1" Wheel 7/10 \$9.66 1 Ea./Pk.	1706PLB3  Pivots 1.9/10 \$4.06 1 Set/Pk.	2006PLBG  Wall Mount Bracket 2.8/10 \$18.65 1 Ea./Pk.	2312PPK1  Univ. Hngr. 3/8" Whl. 3/10 \$9.33 1 Ea./Pk.
1125PPK1  Ball Brg. 1" Wheel 7/10 \$14.17 1 Ea./Pk.	1743PLBG  Hinge 1.3/10 \$5.47 2 Ea./Pk.	2041PLBG  Hidden PD Guide Kit 10/10 \$8.93 1 Set/Pk.	2336PPK2  Univ. V 1/16" Offset 3/4" Wheel 2/10 \$5.85 2 Ea./Pk.
1500PPK3  1500 Hdwe. Set 6.0/10 \$17.55 1 Set/Pk.	1805PPK2  Hinge 2.4/10 \$7.09 2 Ea./Pk.	2050PLBG  Conv. Door Kit 10/10 \$16.98 1 Set/Pk.	2338PPK2  Univ. V 3/8" Offset 3/4" Wheel 2/10 \$5.89 2 Ea./Pk.
1505PPK3  Guide/ Bumper .7/10 \$3.54 1 Set/Pk.	1806PPK3  Pivot 1.5/10 \$5.94 1 Set/Pk.	2135PPK1  Guide 1.3/10 \$3.16 1 Ea./Pk.	2376PPK2  Univ. V 1/16" Offset 7/8" Wheel 2/10 \$5.75 2 Ea./Pk.
1555PPK3  Converge Door Kit 5.5/10 \$9.60 1 Set/Pk.	1808PPK1  Bifold Aligner 1.2/10 \$3.27 1 Set/Pk.	2136PPK1  Carpet Riser (SD) 1.8/10 \$3.46 1 Ea./Pk.	2378PPK2  Univ. V 3/8" Offset 7/8" Wheel 2.2/10 \$5.79 2 Ea./Pk.
1574PLBG  4" Wall Adpt. Kit 5/10 \$8.72 1 Set/Pk.	1817PPK3  Bottom Pivot 2/10 \$3.73 1 Set/Pk.	2155PPK1  Bumper .8/10 \$3.60 1 Ea./Pk.	2511PPK3  Hdwe. Set 6/10 \$15.27 1 Set/Pk.
	1823PPK2  Hinge 2.3/10 \$5.31 2 Ea./Pk.	2156PPK3  Guide/ Riser Set 3/10 \$5.18 1 Set/Pk.	2802PLB2  Hangers 3.7/10 \$9.30 2 Ea./Pk.

Bulk Part #		Pkg Lbs.	List Pr.	Bulk Part #		Pkg Lbs.	List Pr.	Bulk Part #		Pkg Lbs.	List Pr.
10	Guide	100	\$.531	35US5	Pull Ant. Brass	50	\$1.92	1011	Floor Bracket	25	\$5.70
11	Guide	100	\$.487	35US15	Pull Sat. Nickel	50	\$1.92	1020	Hanger ¾" Wheel	50	\$4.90
12	Guide	25	\$1.20	36	Knob Wood	100	\$.763	1021	1020/1025 Door Plate	100	\$1.54
13	Plug	100	\$.512	37	Knob White	100	\$.479	1025	Ball-Bearing ¾" Wheel	50	\$9.39
15US3	¾" Pull Brt. Brass	100	\$.260	38	Knob Brt. Brass	100	\$1.87	1026	¾" door Side Mount	25	\$11.33
15US15	¾" Pull Sat. Nickel	100	\$.267	40US3	Pull Brt. Brass	50	\$1.92	1027	1½" door Side Mount	25	\$11.33
21US3	2½" Pull Brt. Brass	25	\$2.75	40US15	Pull Sat. Nickel	50	\$1.85	1028	1½" door Side Mount	25	\$11.33
21BLK	2½" Pull Black	25	\$2.40	101	Univ. Guide	50	\$1.43	1032	¾" door Door Plate	25	\$3.35
21US15	2½" Pull Sat. Nickel	25	\$2.75	150US3	Edge Pull Brt. Brass	25	\$4.59	1033	1½" door Door Plate	25	\$3.35
30US3	2½" Pull Brt. Brass	100	\$1.82	150US15	Edge Pull Sat. Nic.	25	\$4.57	1034	1½" door Door Plate	25	\$3.35
30BLK	2½" Pull Black	100	\$1.21	1001	Top Pivot	25	\$2.13	1120	Hanger 1" Wheel	50	\$5.85
30US15	2½" Pull Sat. Nickel	100	\$1.82	1002	1½" Door Top Pivot	25	\$4.20	1121	1120/1125 Door Plate	100	\$1.89
30WHT	2½" Pull White	100	\$1.25	1003	1¾" Door Top Pivot	25	\$4.20	1122	1½" door Door Plate	25	\$4.38
33	Knob Brown	100	\$.487	1004	1¾" Door Top Pivot	25	\$4.20	1123	1¾" door Door Plate	25	\$4.38
35US3	Pull Brt. Brass	50	\$1.91	1010	Pivot Lock	25	\$4.85	1124	1¾" door Door Plate	25	\$4.38

Bulk Part #	Pkg Lbs.	List Pr.	Bulk Part #	Pkg Lbs.	List Pr.	Bulk Part #	Pkg Lbs.	List Pr.
1125 <i>Ball-Bearing 1" Wheel</i>	50 16	\$11.31	1705 <i>Guide</i>	100 5.5	\$1.23	1732 <i>Bot. Guide 1½" Doors</i>	25 3.2	\$2.77
1126 <i>1½" door Side Mount</i>	25 11	\$12.90	1706 <i>Bot. Pivot Long</i>	100 5.3	\$1.09	1733 <i>Bot. Guide 1¾" Doors</i>	25 3.4	\$2.64
1127 <i>1¾" door Side Mount</i>	25 11	\$12.90	1707 <i>Bottom Pivot</i>	100 4.8	\$0.870	1741 <i>Shutter Bracket</i>	25 2.6	\$3.00
1128 <i>1¾" door Side Mount</i>	25 11	\$12.90	1710 <i>Pivot Lock</i>	50 2.7	\$2.01	1742 <i>Shutter Hanger</i>	25 1.1	\$5.58
1155 <i>Track Stop</i>	100 3.8	\$1.46	1711 <i>Jamb Bracket</i>	50 8.2	\$3.20	1743 <i>Shutter. Hinge</i>	100 4.6	\$2.52
1461 <i>Bottom Piv Socket</i>	50 2.5	\$2.53	1712 <i>Adjusting Wrench</i>	100 2.5	\$0.455	1744 <i>¾" High Dbl. Floor Brckt</i>	25 8.2	\$8.59
1513 <i>Bumper</i>	100 1.0	\$0.309	1713 <i>Snubber</i>	100 2.6	\$0.840	1754 <i>1¼" High Dbl. Floor Brckt</i>	25 11	\$9.36
1550 <i>Guide</i>	100 2.5	\$0.479	1714 <i>1¼" Floor Bracket</i>	25 5.5	\$4.85	1771 <i>Top Pivot ¾" Sidemount</i>	25 4.3	\$3.19
1602ZCWH <i>White Drywall Hinge</i>	50 10	\$3.00	1721 <i>Top Pivot ¾" Doors</i>	25 3.1	\$2.27	1773 <i>Bot. Pivot ¾" Sidemount</i>	25 4.2	\$3.15
1605S3WT <i>Brown Drywall Hinge</i>	50 10	\$4.15	1723 <i>Bot. Pivot ¾" Doors</i>	25 2.9	\$2.22	1774 <i>Bot. Guide ¾" Sidemount</i>	25 4.6	\$3.68
1603ZCWH <i>White Hinge</i>	50 8.2	\$2.70	1724 <i>Top Pivot 1½" Doors</i>	25 3.2	\$2.32	1775 <i>Doorkeeper</i>	25 1.4	\$2.75
1606S3WT <i>Brown Hinge</i>	50 8.2	\$3.71	1727 <i>Bot. Pivot 1½" Doors</i>	25 3.0	\$2.27	1801 <i>⅞" dia Top Pivot/Guide.</i>	100 3.6	\$1.10
1701 <i>Top Pivot</i>	100 5.4	\$0.902	1728 <i>Top Pivot 1¾" Doors</i>	25 3.3	\$2.19	1804 <i>Floor Bracket</i>	25 2.0	\$2.03
1703 <i>Hinge</i>	100 14	\$1.84	1730 <i>Bot. Pivot 1¾" Doors</i>	25 3.2	\$2.14	1805 <i>Hinge</i>	100 8.5	\$1.70
1704 <i>¾" Floor Bracket</i>	25 4.2	\$4.65	1731 <i>Bot. Guide ¾" Doors</i>	25 3.2	\$2.72	1807 <i>⅞" Dia Bot. Pivot.</i>	100 4.4	\$1.01

Bulk Part #		Pkg Lbs.	List Pr.	Bulk Part #		Pkg Lbs.	List Pr.	Bulk Part #		Pkg Lbs.	List Pr.
1808 4-Door Aligner		100 7.5	\$.907	2001 Top Pivot Bifold		25 6.0	\$5.01	2024 2¼" Side Mnt Hanger		30 25	\$30.56
1810 Pivot Socket		50 2.8	\$1.47	2002 Bifold Guide		25 23	\$26.28	2030 Heavy Duty Slender Guide		25 2.6	\$3.36
1811 Jamb Bracket		50 5.0	\$1.54	2003 Ball-Bearing Hinge (pair)		10 pr. 8.5	\$14.43	2031 Heavy Duty Single Guide		25 6.0	\$3.52
1812 Snubber 2 Door		100 1.2	\$.386	2004 1¾" Side Mnt Bifold Hanger		25 25	\$29.01	2032 Side Mount 1¾ DR Guide		25 4.9	\$4.52
1814 Snubber 4 Door		100 1.7	\$.472	2005 1¾" Side Mnt Bifold Hanger		25 25	\$29.01	2033 Side Mount 1¾ DR Guide		25 4.9	\$4.52
1815 Hinge		100 8.0	\$1.18	2007 Bot. Piv Bifold.		25 10	\$6.55	2034 Guide 1¾" Doors		25 12	\$6.16
1823 Hinge		100 9.3	\$1.56	2008 2¼" Side Mnt Bifold Hanger		25 25	\$29.01	2035 Guide 1¾" Doors		25 12	\$6.23
1831 ¾" dia Top Pivot/Guide		100 3.5	\$.850	2010 Pivot Lock		25 10	\$10.87	2036 Side Mount 2¼ DR Guide		25 4.9	\$4.52
1836 Carpet Riser		25 2.3	\$1.71	2011 Floor Bracket		25 9.0	\$6.66	2037 Guide 1¾" Doors		50 13	\$3.93
1837 ¾" Dia Bot. Pivot		100 4.3	\$1.22	2016 1¾" Side Mnt Bifold Plate		25 12	\$7.28	2038 Guide 1¾" Doors		50 13	\$3.93
1861 Jamb Bracket		50 2.5	\$1.06	2017 1¾" Side Mnt Bifold Plate		25 12	\$7.28	2040 Rout Groove Cover		25 1.3	\$2.68
1922 Top Guide ¾" Doors		25 3.1	\$2.81	2018 2¼" Side Mnt Bifold Plate		25 12	\$7.28	2042 1¾" Side Mnt Plate		25 11	\$6.06
1926 Top Guide 1¾" Doors		25 3.5	\$2.86	2020 Hanger Sliding Door		25 29	\$28.10	2043 1¾" Side Mnt Plate		25 11	\$6.06
1929 Top Guide 1¾" Doors		25 3.5	\$2.73	2022 1¾" Side Mnt Hanger		30 25	\$30.56	2044 2¼" Side Mnt Plate		25 11	\$6.06
1972 Top Guide ¾" Sidemount		25 4.4	\$3.77	2023 1¾" Side Mnt Hanger		30 25	\$30.56	2054PLBG Multi-Door Pull Catch		10 1.5	\$10.23

Bulk Part #	Pkg Lbs.	List Pr.	Bulk Part #	Pkg Lbs.	List Pr.	Bulk Part #	Pkg Lbs.	List Pr.
2055 Track Stop 	25 9.0	\$6.93	2138 Nylon Guide 1 3/8" Doors 	100 1.6	\$1.16	2238 Hanger. 3/8" Offset 	100 11	\$1.41
2056 2020 Hgr. Retainer 	25 9.0	\$1.90	2155 Door Stop 	50 1.6	\$1.20	2312 Univ. Hanger 7/8" Whl-V Trk 	50 11	\$6.84
2075 Glass Door Hanger 	1 2.4	\$54.88	2165 Track Stop 	100 4.4	\$2.19	2551 Pocket Guide 1 3/8" Doors 	50 1.2	\$5.16
2083 Guide Finished Floor 	25 1.5	\$3.15	2175 Guide 3/4" Doors 	25 1.8	\$3.07	2680PLBG End Caps 	50 2.3	\$2.26
2084 Guide Subfloor 	25 1.8	\$3.17	2206 Univ. Hanger. 1/16" Offset 	100 7.1	\$1.25	2682PLBG End Caps 	50 2.3	\$2.26
2118 Nylon Guide 1 1/8" Doors 	25 2.2	\$3.17	2208 Univ. Hanger. 3/8" Offset 	100 7.1	\$1.26	2802 Hanger 7/8" Wheel 	50 7.6	\$3.92
2134 Guide 1 1/8" or 1 3/4" Doors 	25 2.4	\$2.64	2216 Hanger. 1/16" Offset 	100 9.7	\$1.37	2812 Hanger 7/8" Wheel 	50 12	\$5.57
2135 Guide 3/4" or 1 3/8" Doors 	100 7.5	\$1.32	2226 Hanger. 1/16" Offset 	50 7.4	\$2.68	2815 Ball-Bearing 7/8" Wheel 	50 13	\$8.16
2136 Carpet Riser (Sliding Doors) 	100 4.8	\$1.68	2228 Hanger. 3/8" Offset 	50 8.0	\$2.71	9027 1 3/8" Rod Support 	50 8.5	\$1.98
						9028 1" Rod Support 	50 8.2	\$1.79

Policy Information

General

This price list supercedes all previous price lists. Prices, specifications and designs are subject to change without notice. Product design and plating may differ slightly due to modifications to the product since the catalogs printing.

Terms

All invoices are net 30 Days. A delinquent fee of 1 1/2% per month will be assessed on all unpaid invoices over 30 days old

Returned Goods

All goods being returned for credit must have prior written factory authorization, which will specify the exact items being returned, the quantities involved and the condition of the goods. Credit for returned goods MUST be applied to future orders (no checks issued). Goods are to be returned to us freight prepaid and will be subject to a 25% handling, inspection, and restocking charge. No credit issued on non-stock items or items more than one year old. Credit is good for one year from date we received the return. After one year, it expires.

Cancellation

Orders for special goods, accepted by us and placed in production, are non-cancellable except by written consent and are subject to a 25% minimum service charge.

Broken Packages

Prices shown are for FULL Standard packages (unless otherwise specified). Add 25% for less than full case/carton packing quantity. We reserve the right to increase an order to a standard package unless specifically informed to ship exact quantities only.